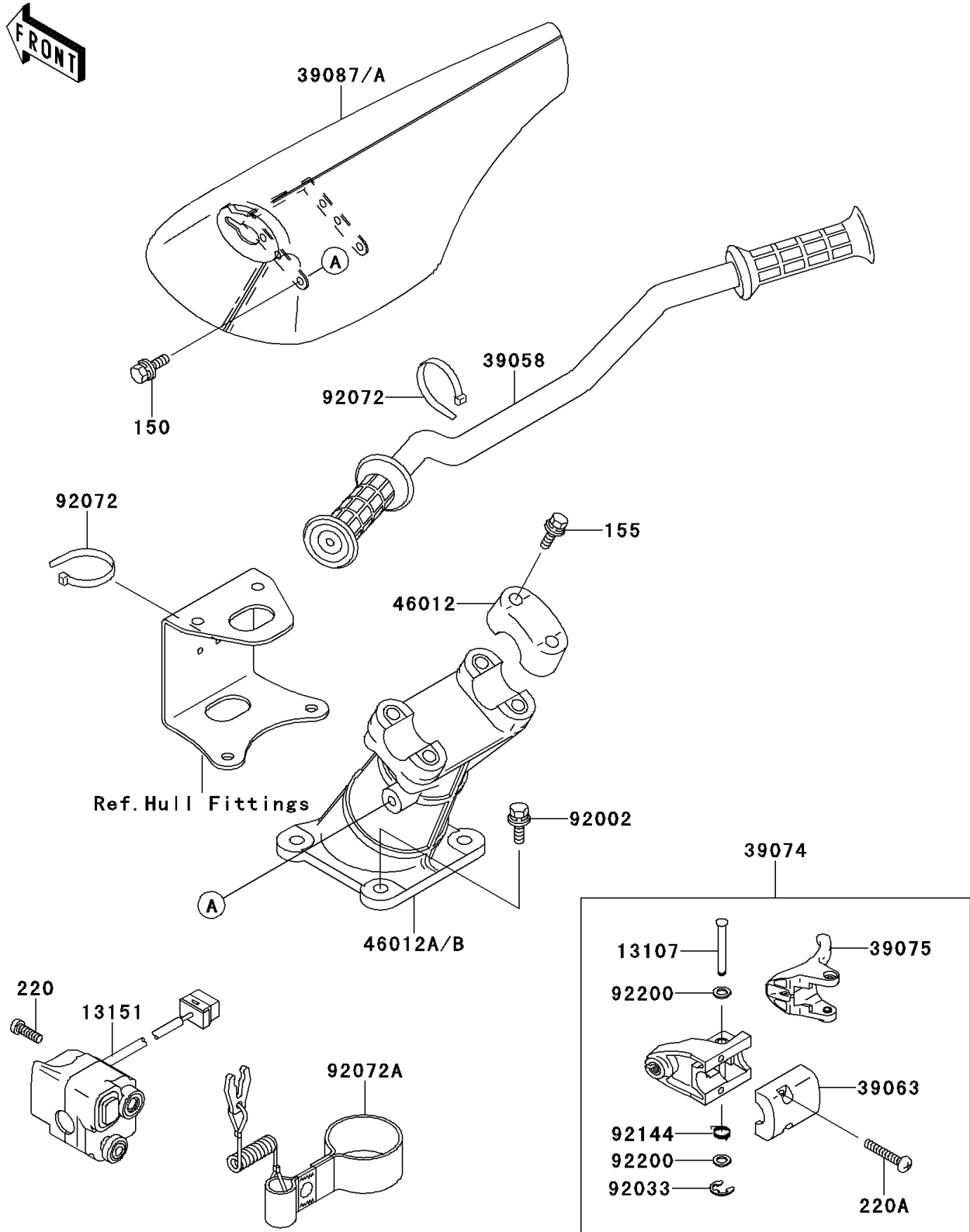


1996 Super Sport XI PARTS DIAGRAM

Handlebar

F3172



1996 Super Sport XI PARTS LIST

Handlebar

ITEM NAME	PART NUMBER	QUANTITY
BOLT-WS,6X14 (Ref # 150)	150R0614	1
BOLT-WSP-SMALL,8X35 (Ref # 155)	155R0835	1
SCREW-PAN-CROS,5X30 (Ref # 220)	220R0530	1
SCREW-PAN-CROS (Ref # 220A)	220R0630	1
SHAFT (Ref # 13107)	13107-3740	1
SWITCH-COMP,STOP&START&TRIM (Ref # 13151)	13151-3713	1
HANDLE-COMP,GRAY (Ref # 39058)	39058-3714-RA	1
HOUSING-CONTROL (Ref # 39063)	39063-3720	1
LEVER-ASSY-THROTTLE (Ref # 39074)	39074-3717	1
LEVER-THROTTLE (Ref # 39075)	39075-3710	1
PAD-HANDLE,C.BLUE (Ref # 39087A)	39087-3717-PR	1
HOLDER-HANDLE,UPP (Ref # 46012)	46012-3720	1
HOLDER-HANDLE,LWR (Ref # 46012A)	46012-3723	1
BOLT,8X25 (Ref # 92002)	92002-3774	1
RING-SNAP (Ref # 92033)	92033-3723	1
BAND (Ref # 92072)	92072-3778	1
BAND,TETHER SWITCH (Ref # 92072A)	92072-3784	1
SPRING (Ref # 92144)	92144-3749	1
WASHER (Ref # 92200)	92200-3738	1