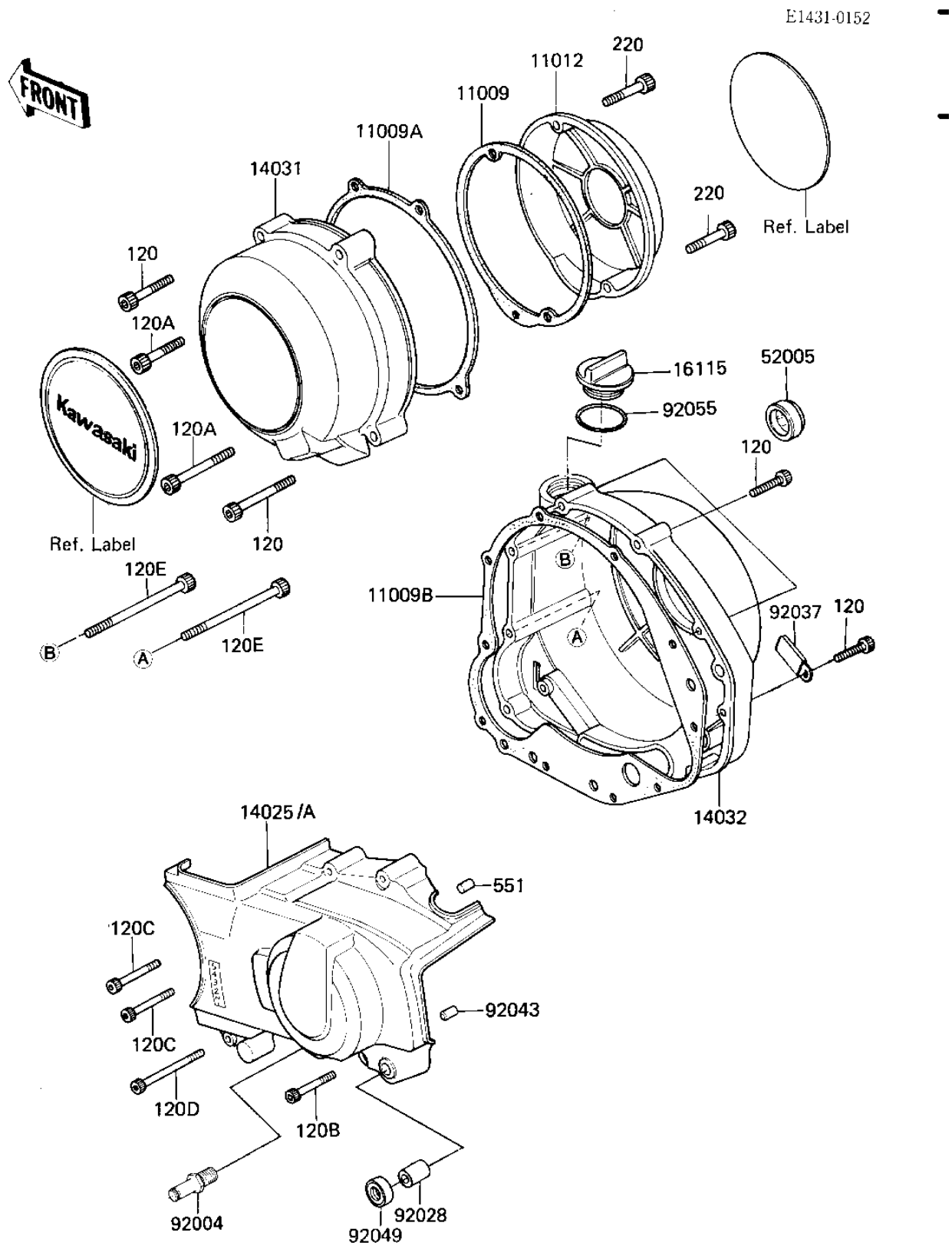


1984 LTD Shaft PARTS DIAGRAM

ENGINE COVERS



1984 LTD Shaft PARTS LIST

ENGINE COVERS

ITEM NAME	PART NUMBER	QUANTITY
GASKET,PULSING COIL C (Ref # 11009)	11060-1053	1
GASKET,GENERATOR COVE (Ref # 11009A)	11009-1987	1
GASKET,R.H.ENG COVER (Ref # 11009B)	14046-035	1
CAP,PULSING COIL (Ref # 11012)	11012-1377	1
COVER,MISSION (Ref # 14025)	14025-1839	1
COVER-GENERATOR (Ref # 14031)	14031-1165	1
COVER-CLUTCH (Ref # 14032)	14032-1091	1
PLUG,OIL FILLER (Ref # 16115)	16115-013	1
GAUGE,OIL LEVEL (Ref # 52005)	52005-1009	1
STUD (Ref # 92004)	92004-1109	1
BUSHING,13X15X20 (Ref # 92028)	92028-1251	1
CLAMP,WIRING HARNESS (Ref # 92037)	21126-008	1
PIN-DOWEL (Ref # 92043)	92042-007	1
OIL SEAL,TB13225.5 (Ref # 92049)	92051-005	1
"O" RING,31MM (Ref # 92055)	92055-049	1
BOLT-SOCKET (Ref # 120)	120Z0630	10
BOLT-SOCKET (Ref # 120A)	120Z0640	2
BOLT-SOCKET (Ref # 120B)	120Z0645	1
BOLT-SOCKET (Ref # 120C)	120Z0650	2
BOLT-SOCKET (Ref # 120D)	120Z0675	1
BOLT-SOCKET (Ref # 120E)	120Z0680	2
SCREW PAN HEAD 6X30 (Ref # 220)	220E0630	2
PIN DOWEL 8X14 (Ref # 551)	551A0814	1