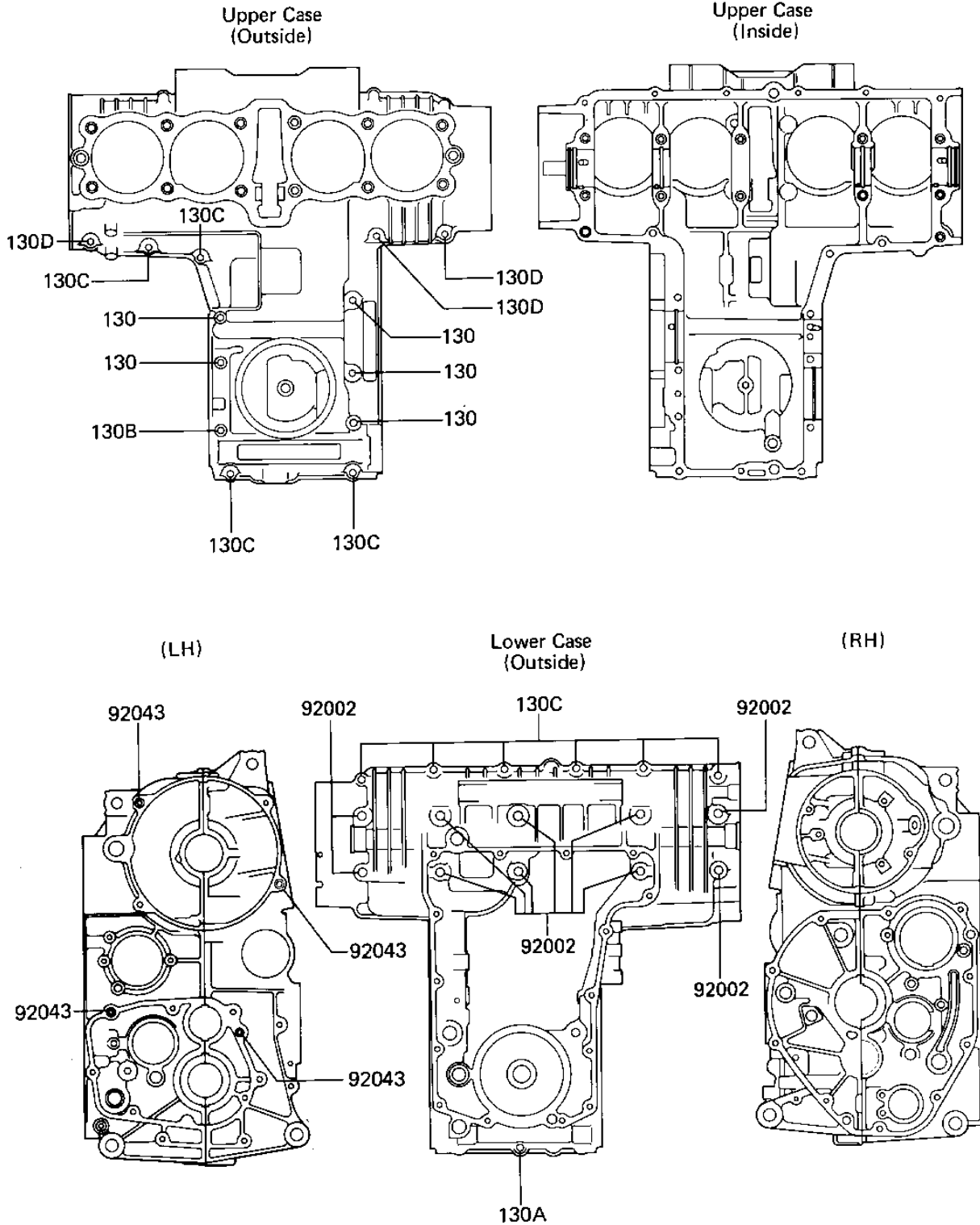


# 1985 LTD Shaft PARTS DIAGRAM

## CRANKCASE BOLT & STUD PATTERN

E1412-0013 -



# 1985 LTD Shaft PARTS LIST

## CRANKCASE BOLT & STUD PATTERN

ITEM NAME	PART NUMBER	QUANTITY
BOLT,8X95 (Ref # 92002)	92002-1077	10
PIN-DOWEL (Ref # 92043)	92042-007	4
BOLT-FLANGED (Ref # 130)	130Y06100	5
BOLT-FLANGED (Ref # 130A)	130Y06105	1
BOLT-FLANGED (Ref # 130B)	130Y06115	1
BOLT-FLANGED (Ref # 130C)	130Y0640	9
BOLT-FLANGED (Ref # 130D)	130Y0650	1