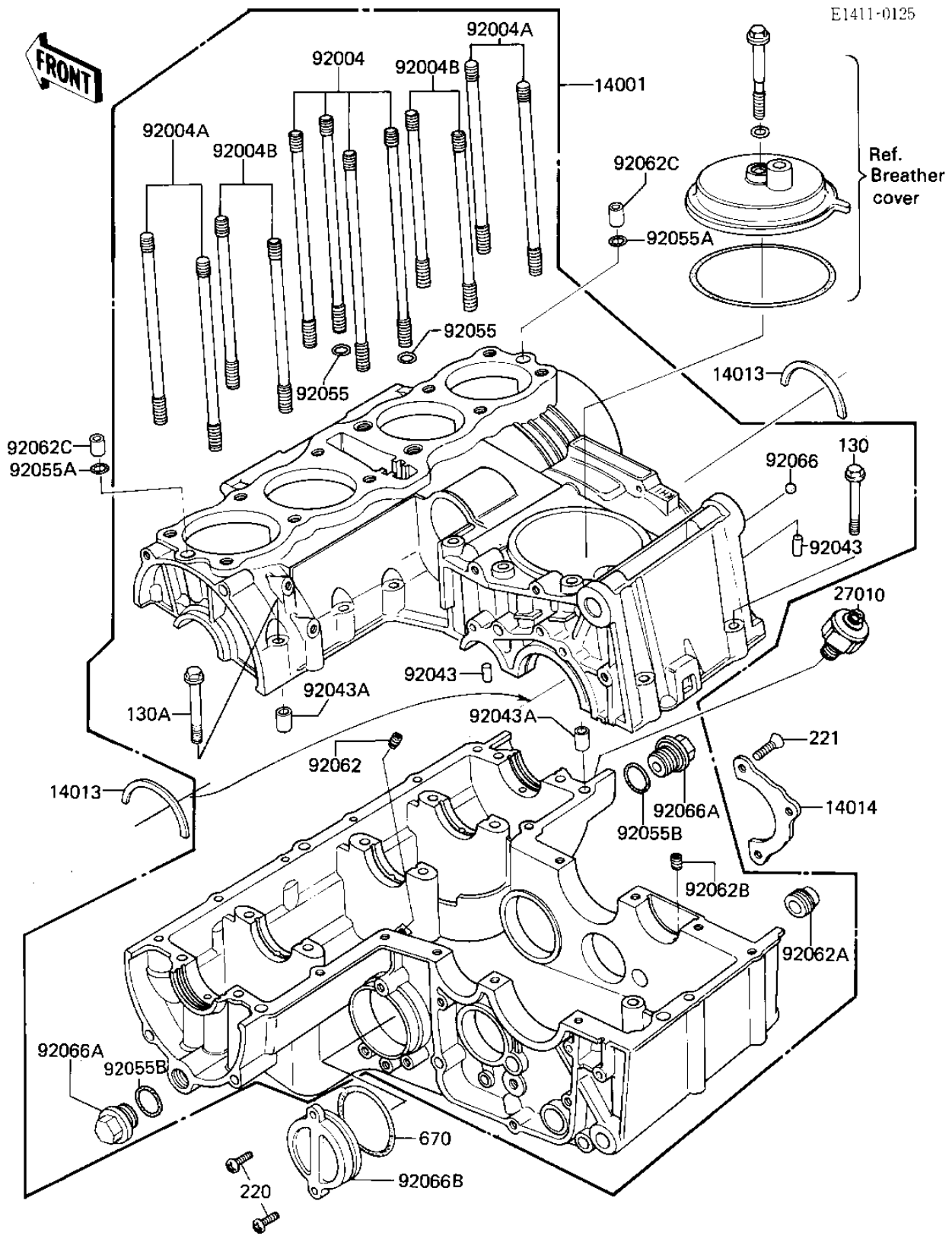


1985 LTD Shaft PARTS DIAGRAM

CRANKCASE



1985 LTD Shaft PARTS LIST

CRANKCASE

ITEM NAME	PART NUMBER	QUANTITY
SET-CRANKCASE,SILVER (Ref # 14001)	14001-5134	1
RING BEARING SETTING (Ref # 14013)	14013-004	2
PLATE,POSITIONING (Ref # 14014)	14014-1007	1
SWITCH,OIL PRESSURE (Ref # 27010)	27010-1155	1
STUD,10X153 (Ref # 92004)	92004-062	4
STUD,10X133 (Ref # 92004A)	92004-1004	4
STUD,10X116 (Ref # 92004B)	92004-1007	4
PIN DOWEL 6MM (Ref # 92043)	92042-016	2
PIN,DOWEL,10X8.2X14 (Ref # 92043A)	92043-1037	2
"O" RING,8.8MM (Ref # 92055)	92055-099	2
O RING (Ref # 92055A)	670D2010	2
RING-O (Ref # 92055B)	92055-1146	2
NOZZLE,OIL BIAS (Ref # 92062)	92062-011	1
NOZZLE (Ref # 92062A)	92062-014	1
NOZZLE (Ref # 92062B)	92062-015	1
NOZZLE (Ref # 92062C)	92062-016	2
PLUG (Ref # 92066)	92066-057	1
PLUG (Ref # 92066A)	92066-066	2
PLUG,SECONDARY SHAFT (Ref # 92066B)	92066-1019	1
BOLT-FLANGED (Ref # 130)	130Y0640	1
BOLT-FLANGED (Ref # 130A)	130Y0650	2
SCREW PAN HEAD 6X20 (Ref # 220)	220B0620	2
SCREW CNTSNK HD 6X20 (Ref # 221)	221B0620	1
"O" RING,46MM (Ref # 670)	670B3046	1