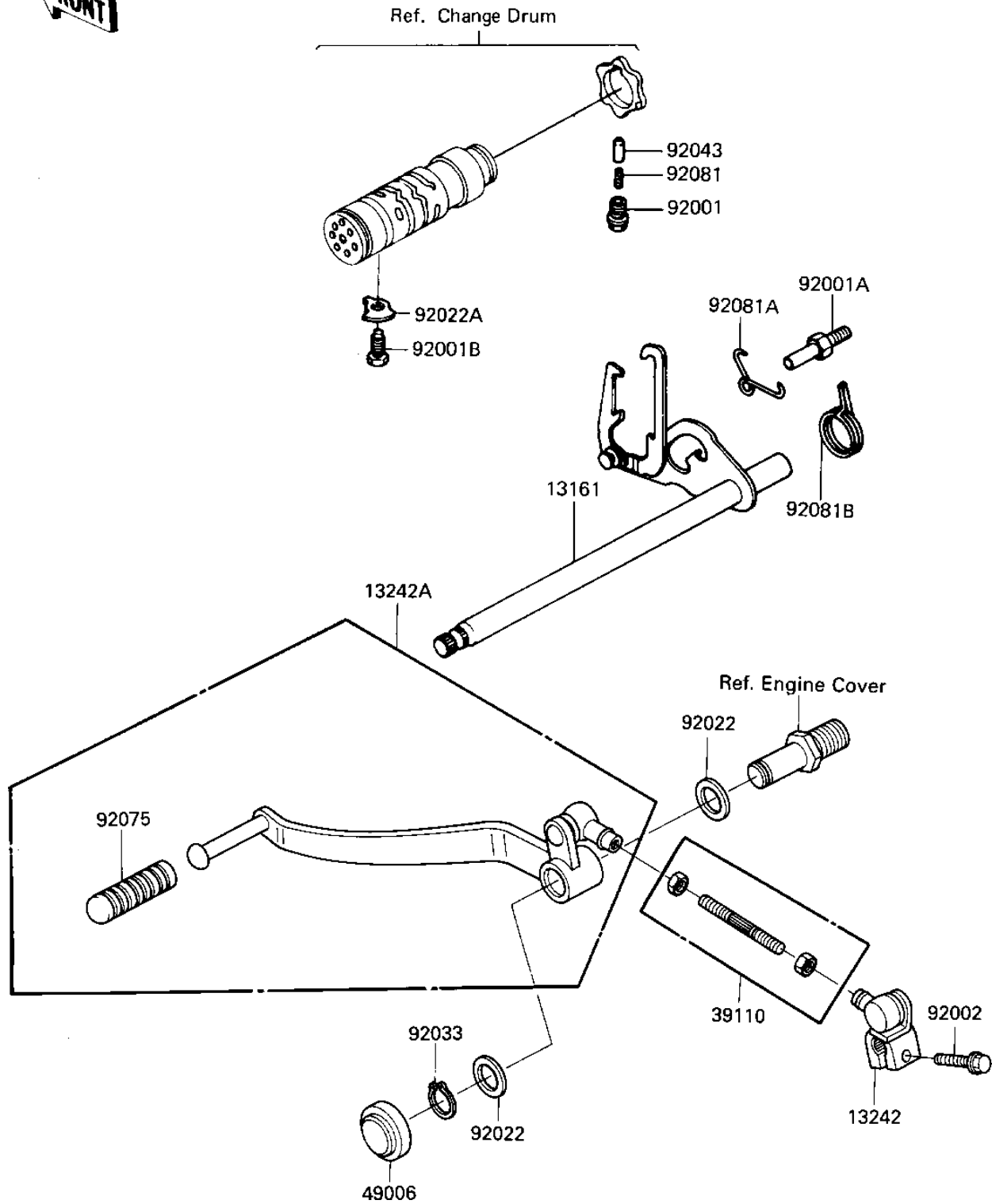


1985 LTD Shaft

PARTS DIAGRAM

GEAR CHANGE MECHANISM

E1370-0129



1985 LTD Shaft

PARTS LIST

GEAR CHANGE MECHANISM

ITEM NAME	PART NUMBER	QUANTITY
LEVER ASSY,GEAR SFT (Ref # 13161)	13161-042	1
LEVER-ASSY-CHANGE (Ref # 13242)	13242-1062	1
LEVER-ASSY-CHANGE,PED (Ref # 13242A)	13242-1179	1
ROD-ASSY-TIE (Ref # 39110)	39110-1054	1
BOOT,CHANGE LEVER (Ref # 49006)	49006-1061	1
BOLT,NEUTRAL POSITION (Ref # 92001)	92001-1037	1
BOLT,RETURN SPRING (Ref # 92001A)	92001-1401	1
BOLT,HEX HEAD,10X26 (Ref # 92001B)	92001-174	1
BOLT,6X20 (Ref # 92002)	92002-1237	1
WASHER (Ref # 92022)	92022-1593	2
WASHER,LOCK,10MM (Ref # 92022A)	92024-074	1
RING-SNAP (Ref # 92033)	92033-1178	1
PIN-NEUTRAL POSITION (Ref # 92043)	92043-076	1
DAMPER,CHANGE PEDAL (Ref # 92075)	92160-1036	1
SPRING (Ref # 92081)	92081-112	1
SPRING,KICK PAWL (Ref # 92081A)	92083-018	1
SPRING,CHG PEDL RTRN (Ref # 92081B)	92083-028	1