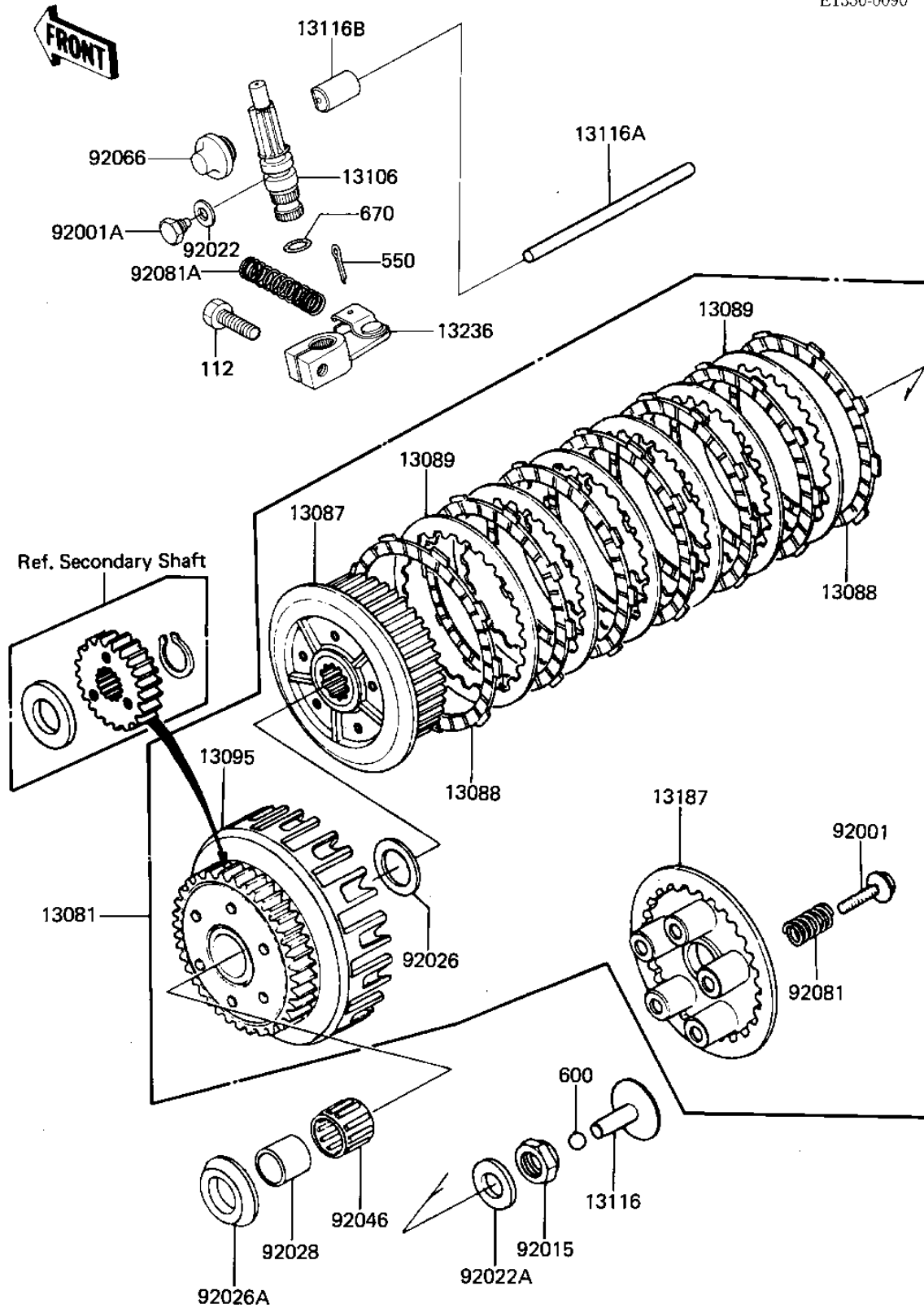


1985 LTD Shaft

PARTS DIAGRAM

CLUTCH

E1350-0090



1985 LTD Shaft

PARTS LIST

CLUTCH

ITEM NAME	PART NUMBER	QUANTITY
CLUTCH-ASSY (Ref # 13081)	13081-1034	1
HUB,CLUTCH (Ref # 13087)	13087-043	1
PLATE,CLUTCH FRICTION (Ref # 13088)	13088-030	7
PLATE,CLUTCH STEEL (Ref # 13089)	13089-022	6
HOUSING,CLUTCH (Ref # 13095)	13095-1033	1
SHAFT-CLUTCH RELEASE (Ref # 13106)	13106-1015	1
PUSHER,CLUTCH SPRG PL (Ref # 13116)	13116-022	1
ROD,CLUTCH PUSH (Ref # 13116A)	13116-1007	1
ROD,CLUTCH PUSH (Ref # 13116B)	13116-1040	1
PLATE,CLUTCH SPRING (Ref # 13187)	13187-006	1
LEVER-COMP,CLUTCH REL (Ref # 13236)	13236-1052	1
BOLT,CLUTCH SPR FITT (Ref # 92001)	92001-1066	5
BOLT,CLUTCH RELEASE (Ref # 92001A)	92003-130	1
NUT,20MM (Ref # 92015)	92015-1555	1
WASHER OIL PUMP BANJO (Ref # 92022)	92022-077	1
WASHER,PLAIN,2.3X20.3 (Ref # 92022A)	92022-1116	1
WASHER TH 25.5X47X2.5 (Ref # 92026)	92026-022	1
SPACER,THRUST,T=5.5MM (Ref # 92026A)	92026-116	1
BUSHING,CLUTCH (Ref # 92028)	92028-178	1
BEARING,KTV323723 (Ref # 92046)	92046-028	1
PLUG,CLUTCH RELEASE (Ref # 92066)	92066-1097	1
SPRING,CLUTCH (Ref # 92081)	92081-1176	5
SPRING,CLUTCH RELEASE (Ref # 92081A)	92081-1486	1
BOLT-UPSET,6X20 (Ref # 112)	112G0620	1
PIN COTTER 1.6X15 (Ref # 550)	550D1615	1
BALL STEEL 3/8' (Ref # 600)	600A1200	1
"O" RING, 10MM (Ref # 670)	670B2010	1