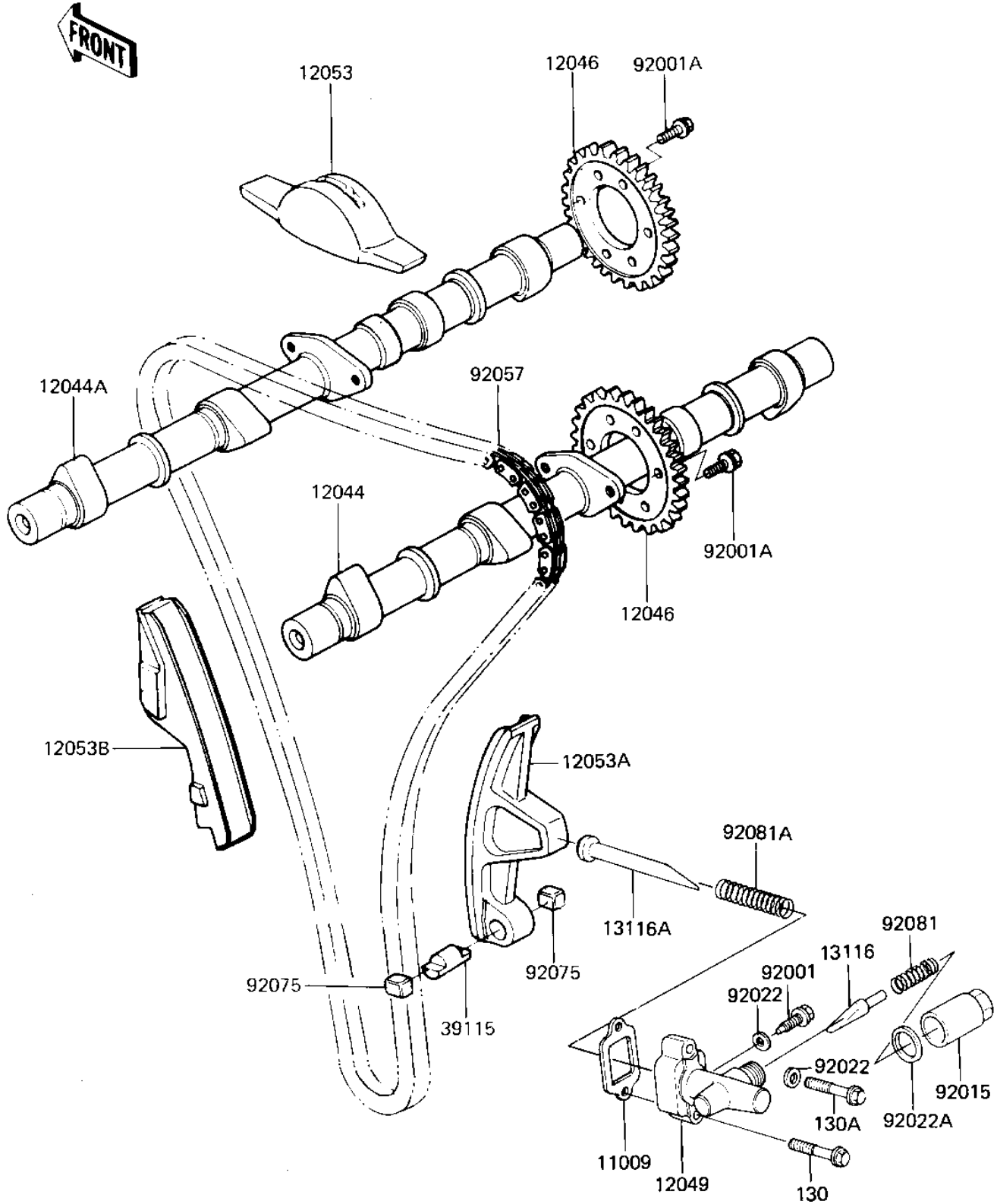


1984 LTD Shaft PARTS DIAGRAM

CAMSHAFTS/CHAIN/TENSIONER

E1230-0026



1984 LTD Shaft PARTS LIST

CAMSHAFTS/CHAIN/TENSIONER

| ITEM NAME | PART NUMBER | QUANTITY |
|---|-------------|----------|
| GASKET,TENSIONER (Ref # 11009) | 11009-1980 | 1 |
| UNAVAILABLE IN PRICE BOOK (Ref # 12044) | 12044-1100 | 1 |
| CAMSHAFT-VALVE,EXHAUS (Ref # 12044A) | 12044-1111 | 1 |
| SPROCKET,CAMSHAFT 46T (Ref # 12046) | 12046-1021 | 2 |
| TENSIONER,CAM CHAIN (Ref # 12049) | 12049-1015 | 1 |
| GUIDE,CHAIN UPPER (Ref # 12053) | 12053-1038 | 1 |
| GUIDE-CHAIN REAR (Ref # 12053A) | 12053-1054 | 1 |
| GUIDE-CHAIN,FR (Ref # 12053B) | 12053-1058 | 1 |
| ROD,PUSH,CAM CHAIN (Ref # 13116) | 13116-1012 | 1 |
| ROD-PUSH,TENSIONER (Ref # 13116A) | 13116-1036 | 1 |
| SHAFT,CAM CHAIN GUIDE (Ref # 39115) | 12052-003 | 1 |
| BELT,TENSIONER ADJUST (Ref # 92001) | 92001-1155 | 1 |
| BOLT,SPROCKET FITTING (Ref # 92001A) | 92003-208 | 4 |
| CAP,TENSIONER,18M/M (Ref # 92015) | 92015-1100 | 1 |
| WASHER OIL PUMP BANJO (Ref # 92022) | 92022-077 | 2 |
| WASHER,18.3X24X1.4T (Ref # 92022A) | 92022-1175 | 1 |
| CHAIN,CAM,82RH2015-15 (Ref # 92057) | 92057-1319 | 1 |
| DAMPER,CAM CHAIN GUID (Ref # 92075) | 92075-1314 | 2 |
| SPRING,TENSIONER (Ref # 92081) | 92081-1302 | 1 |
| SPRING,TENSIONER (Ref # 92081A) | 92081-1374 | 1 |
| BOLT,FLANGED,6X30 (Ref # 130) | 130G0630 | 1 |
| BOLT,FLANGED,6X35 (Ref # 130A) | 130H0635 | 1 |