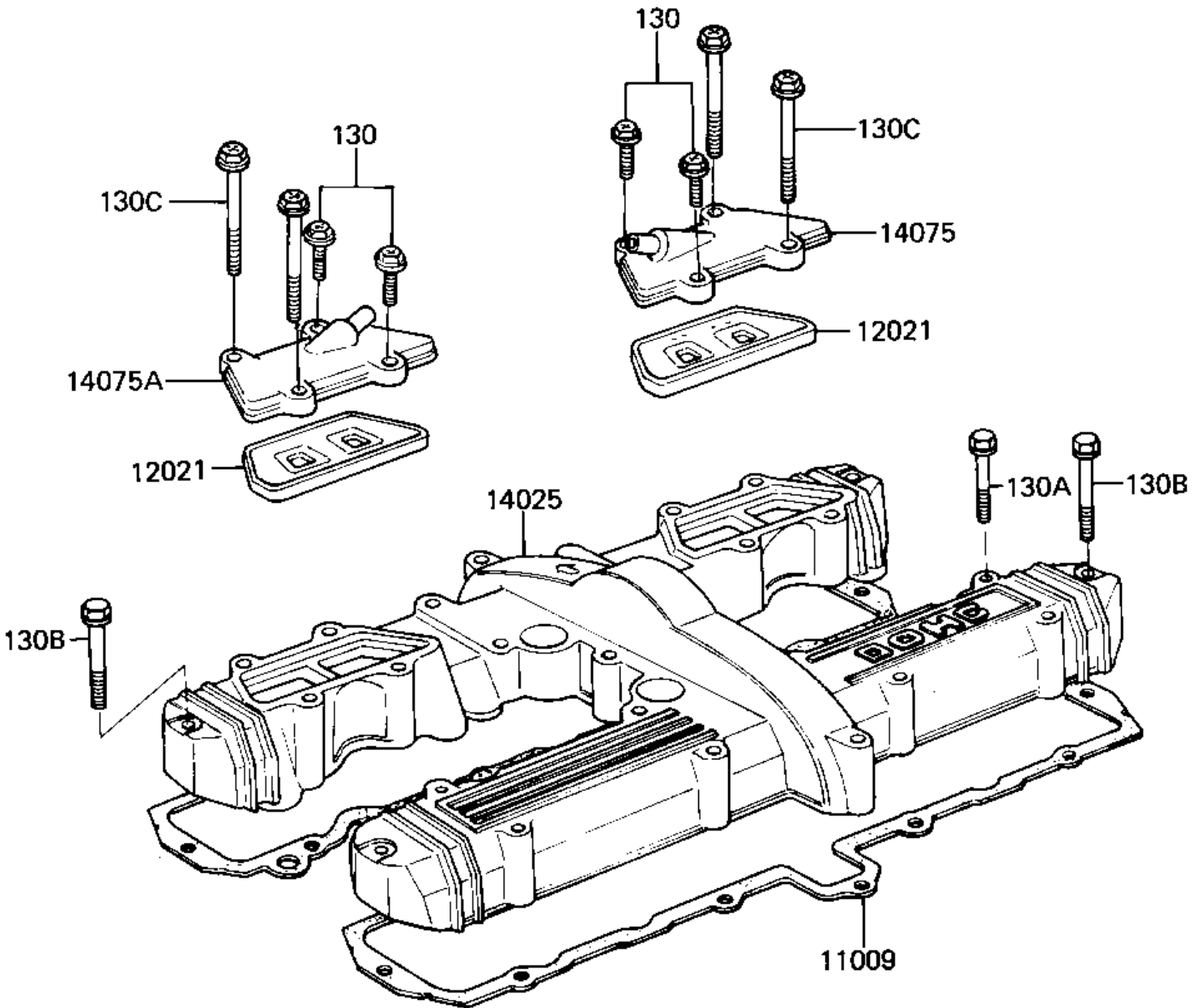


1985 LTD Shaft PARTS DIAGRAM

CYLINDER HEAD COVER

E1112-0073



1985 LTD Shaft PARTS LIST

CYLINDER HEAD COVER

ITEM NAME	PART NUMBER	QUANTITY
GASKET,CYLINDER HEAD (Ref # 11009)	11009-1274	1
VALVE ASSY REED (Ref # 12021)	12021-1003	2
COVER,CYLINDER HEAD (Ref # 14025)	14025-1857	1
CAP-ASSY,REED VALVE,R (Ref # 14075)	14075-5016	1
CAP-ASSY,REED VALVE,L (Ref # 14075A)	14075-5017	1
BOLT-FLANGED (Ref # 130)	130Y0620	4
BOLT-FLANGED (Ref # 130A)	130Y0640	16
BOLT-FLANGED (Ref # 130B)	130Y0645	4
BOLT-FLANGED (Ref # 130C)	130Y0665	4