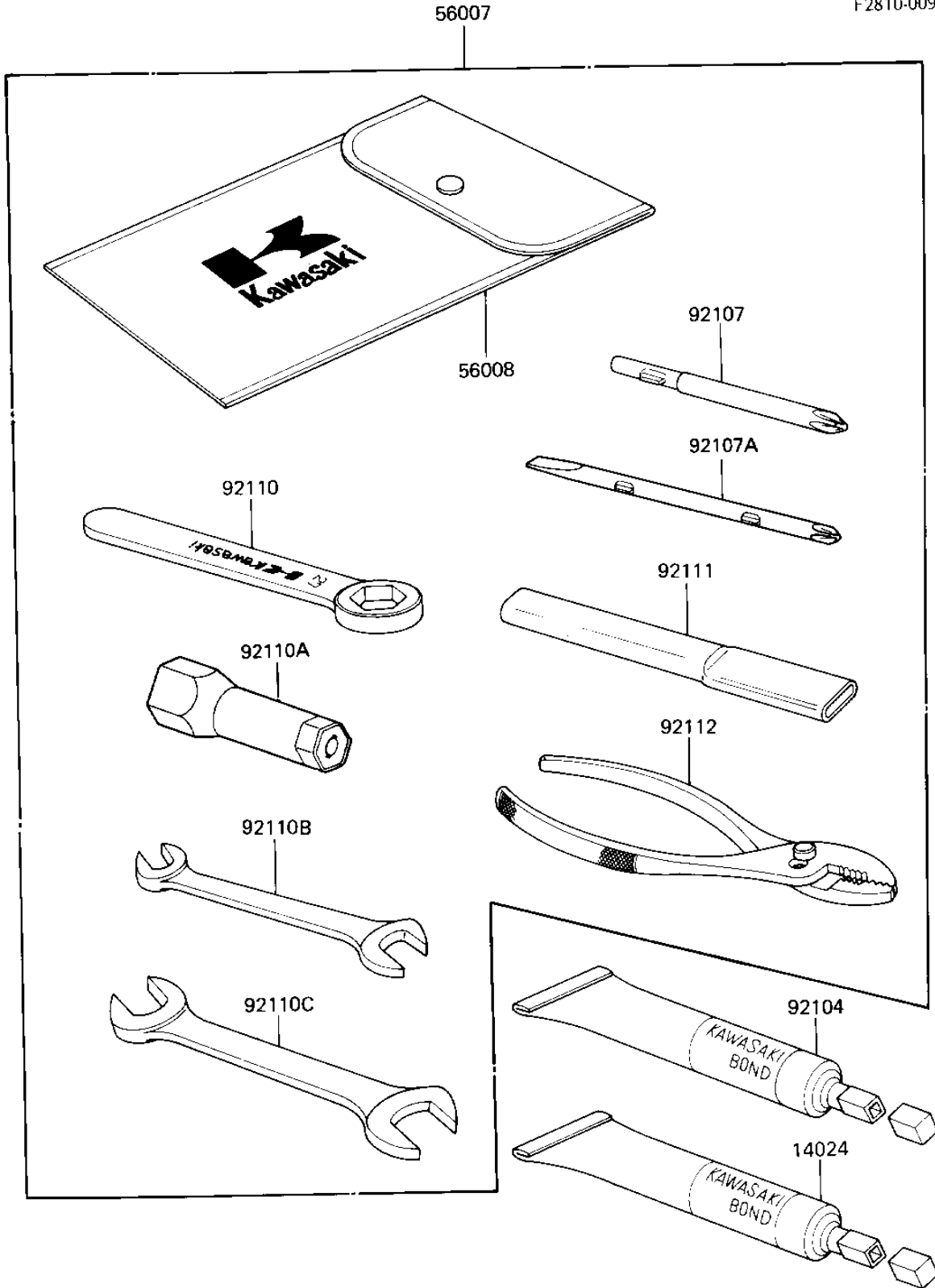


1985 GPz PARTS DIAGRAM

OWNER TOOLS

F2810-0095



1985 GPz PARTS LIST

OWNER TOOLS

ITEM NAME	PART NUMBER	QUANTITY
BOND,#10 (Ref # 14024)	56019-120	1
TOOLKIT (Ref # 56007)	56007-1292	1
BAG,TOOLKIT (Ref # 56008)	56008-1019	1
LIQUID GASKET (Ref # 92104)	92104-002	1
SCREW DRIVER #3 PHLIP (Ref # 92107)	92107-005	1
92107-1052 (Canada) (Ref # 92107A)	92107-1051	1
TOOL-WRENCH,BOX END,2 (Ref # 92110)	92110-1147	1
TOOL-WRENCH (Ref # 92110A)	92110-1111	1
TOOL-WRENCH,OPEN END, (Ref # 92110B)	92110-1152	1
TOOL-WRENCH,OPEN END, (Ref # 92110C)	92110-1153	1
TOOL-WRENCH,OPEN END, (Ref # 92111)	92111-004	1
PLIERS,160MM (Ref # 92112)	92112-003	1