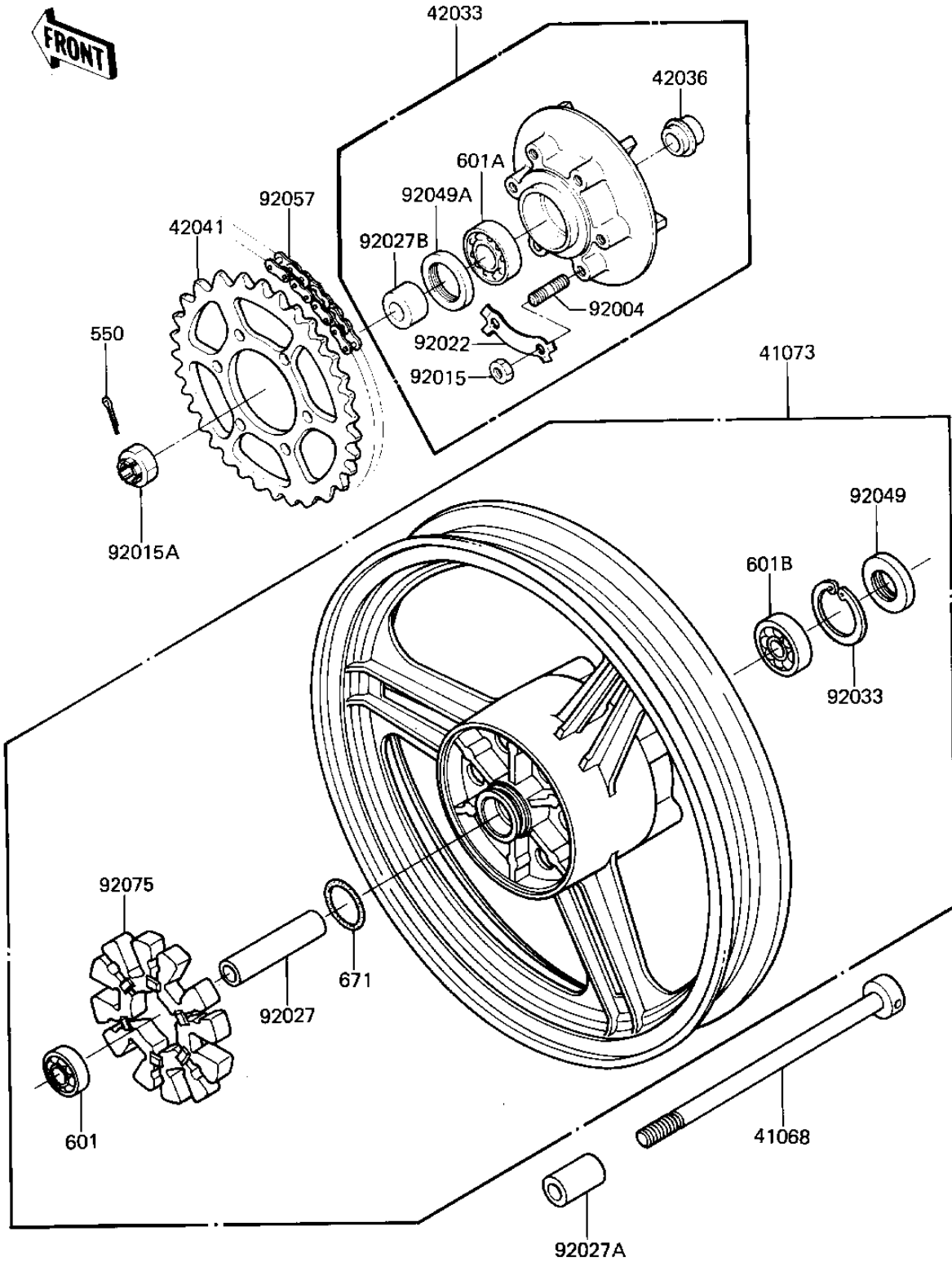


# 1985 GPz PARTS DIAGRAM

## REAR WHEEL/HUB/CHAIN

F2240-0143



# 1985 GPz PARTS LIST

## REAR WHEEL/HUB/CHAIN

ITEM NAME	PART NUMBER	QUANTITY
AXLE,RR (Ref # 41068)	41068-1086	1
WHEEL-ASSY,RR,M.GRAY (Ref # 41073)	41073-1275-J9	1
COUPLING-ASSY (Ref # 42033)	42033-1053	1
SLEEVE,L=25 (Ref # 42036)	42036-1055	1
SPROCKET-HUB,38T (Ref # 42041)	42041-1165	1
STUD,10X18 (Ref # 92004)	92004-1062	6
NUT 10MM (Ref # 92015)	42045-005	6
NUT CASTLE,16MM (Ref # 92015A)	92015-055	1
WASHER,LOCK (Ref # 92022)	92022-1212	3
COLLAR,17X25X92 (Ref # 92027)	92027-1545	1
COLLAR,17X28X32 (Ref # 92027A)	92027-1569	1
COLLAR,L=21 (Ref # 92027B)	92027-1661	1
CIRCLIP,47M/M (Ref # 92033)	92033-1042	1
OIL SEAL,AG1556EO (Ref # 92049)	92049-1056	1
OIL SEAL WTC35527 (Ref # 92049A)	92052-006	1
DR CHAIN EK520 104L (Ref # 92057)	92057-1159	1
DAMPER (Ref # 92075)	92075-1436	1
PIN-COTTER,4.0X35 (Ref # 550)	550D4035	1
BRG,BALL,#6203ZZC3 (Ref # 601)	601B6203ZZ	1
BEARING BALL #6205 (Ref # 601A)	601B6205	1
BRG,BALL,#6303ZZC3 (Ref # 601B)	601B6303ZZ	1
O RING (Ref # 671)	671B2550	1