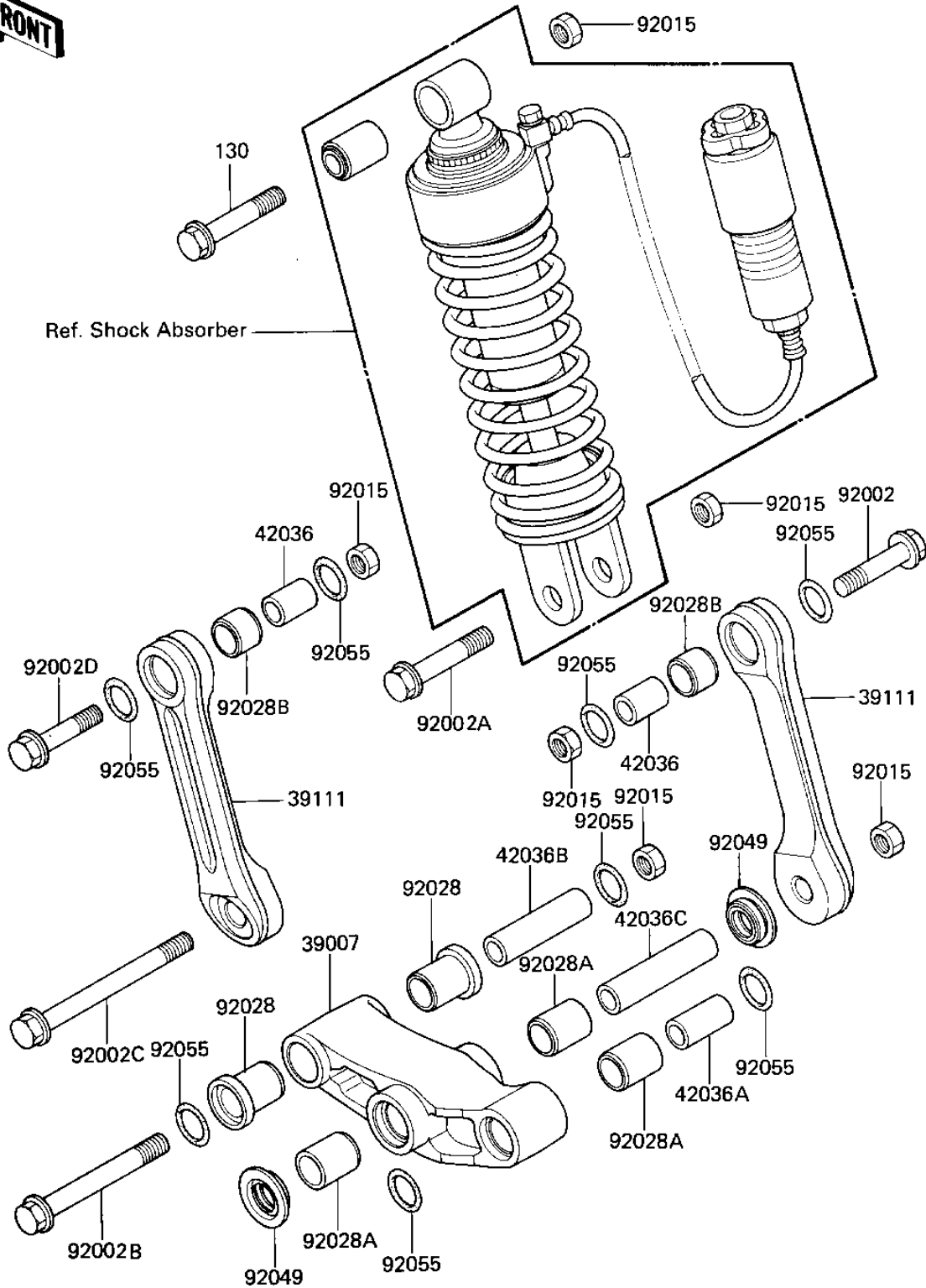


1984 GPz PARTS DIAGRAM

REAR SUSPENSION

F2150-0033



1984 GPz PARTS LIST

REAR SUSPENSION

| ITEM NAME | PART NUMBER | QUANTITY |
|----------------------------------|-------------|----------|
| ARM-SUSP,UNI TRAK (Ref # 39007) | 39007-1024 | 1 |
| ROD-TIE,UNI TRAK (Ref # 39111) | 39111-1021 | 2 |
| SLEEVE,TIE ROD,UPP (Ref # 42036) | 42036-1076 | 2 |
| SLEEVE,ARM,RR (Ref # 42036A) | 42036-1077 | 1 |
| SLEEVE,ARM,FR (Ref # 42036B) | 42036-1078 | 1 |
| SLEEVE,ARM,CNT (Ref # 42036C) | 42036-1079 | 1 |
| BOLT,12X45 (Ref # 92002) | 92002-1061 | 1 |
| BOLT,12X55 (Ref # 92002A) | 92002-1062 | 1 |
| BOLT,12X90 (Ref # 92002B) | 92002-1063 | 1 |
| BOLT,12X110 (Ref # 92002C) | 92002-1064 | 1 |
| BOLT,12X45 (Ref # 92002D) | 92002-1065 | 1 |
| NUT,12MM (Ref # 92015) | 92015-1375 | 6 |
| BUSHING,FLANGED (Ref # 92028) | 92028-1200 | 2 |
| BUSHING (Ref # 92028A) | 92028-1598 | 3 |
| BUSHING (Ref # 92028B) | 92028-1599 | 2 |
| SEAL-OIL,ARM,CNT (Ref # 92049) | 92049-1109 | 2 |
| RING-0,19.8X2.2 (Ref # 92055) | 92055-1215 | 8 |
| BOLT-FLANGED (Ref # 130) | 130G1250 | 1 |