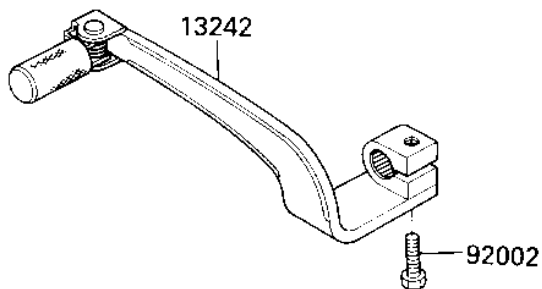
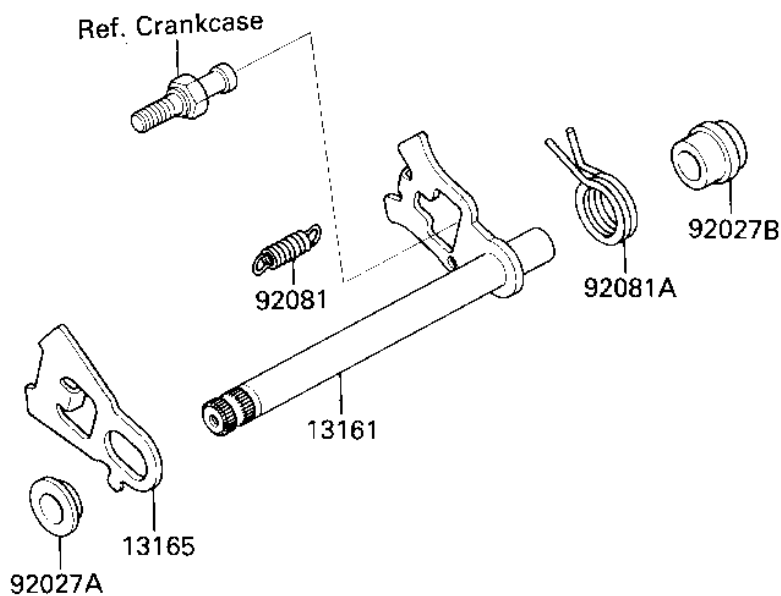
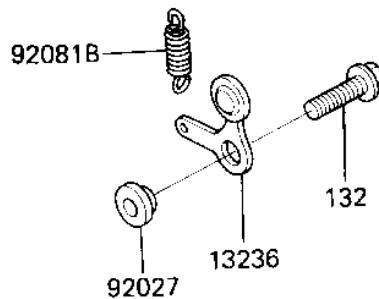


1985 Tecate PARTS DIAGRAM

GEAR CHANGE MECHANISM ('85 A2)

E1370-0142



1985 Tecate PARTS LIST

GEAR CHANGE MECHANISM ('85 A2)

ITEM NAME	PART NUMBER	QUANTITY
LEVER-COMP-CHANGE SHA (Ref # 13161)	13161-1109	1
PAWL,CHANGE LEVER (Ref # 13165)	13165-1119	1
LEVER,CHANGE DRUM (Ref # 13236)	13236-1021	1
LEVER-ASSY-CHANGE,PED (Ref # 13242)	13242-1186	1
BOLT-FLANGED,6X25 (Ref # 92002)	130P0625	1
COLLAR (Ref # 92027)	92027-1248	1
COLLAR,CHANGE SHAFT,L (Ref # 92027A)	92027-1512	1
COLLAR,RETURN SPRING (Ref # 92027B)	92027-1682	1
SPRING-CHANGE LEVER (Ref # 92081)	92081-076	1
SPRING,CHANGE SHAFT R (Ref # 92081A)	92081-1716	1
SPRING,CHNG DRUM LEV (Ref # 92081B)	92083-012	1
BOLT-FLANGED-SMALL (Ref # 132)	132G0616	1