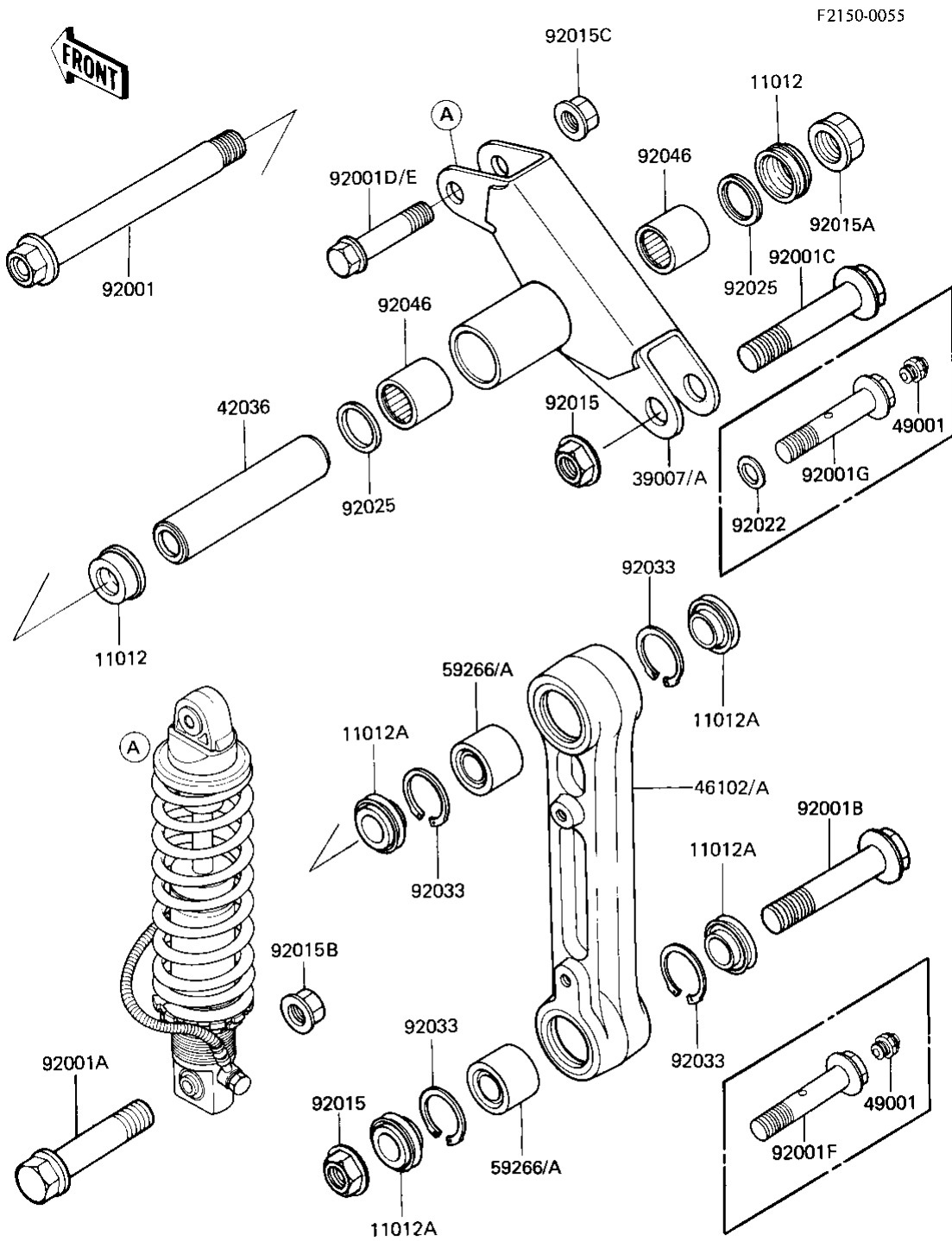


1984 KDX200 PARTS DIAGRAM

REAR SUSPENSION



1984 KDX200 PARTS LIST

REAR SUSPENSION

ITEM NAME	PART NUMBER	QUANTITY
CAP (Ref # 11012)	11012-1203	2
CAP,ROD (Ref # 11012A)	11012-1258	4
ARM-SUSP,UNI-TRAK (Ref # 39007)	39007-1017	1
ARM-SUSP,UNI TRAK (Ref # 39007A)	39007-1067	1
SLEEVE,UNI TRAK (Ref # 42036)	42036-1054	1
ROD,UNI TRAK (Ref # 46102)	46102-1057	1
NIPPLE-GREASE,ROD BOL (Ref # 49001)	49001-1051	2
JOINT-BALL,SB142820E0 (Ref # 59266A)	59266-1052	2
BOLT,16X156 (Ref # 92001)	92001-1495	1
BOLT,12X55 (Ref # 92001A)	92001-1497	1
BOLT,FLANGED,10X48 (Ref # 92001E)	92001-1962	1
BOLT,14X82 (Ref # 92001F)	92001-1972	1
BOLT,14X60 (Ref # 92001G)	92001-1973	1
NUT,14MM (Ref # 92015)	92015-1407	2
NUT,16MM (Ref # 92015A)	92015-1046	1
NUT-12MM (Ref # 92015B)	92015-1156	1
NUT,10MM (Ref # 92015C)	92015-1415	1
WASHER BRAKE PEDAL (Ref # 92022)	92022-085	1
SHIM (Ref # 92025)	92025-1229	2
RING,SNAP (Ref # 92033)	92033-1064	4
BEARING-NEEDLE (Ref # 92046)	92046-1041	2