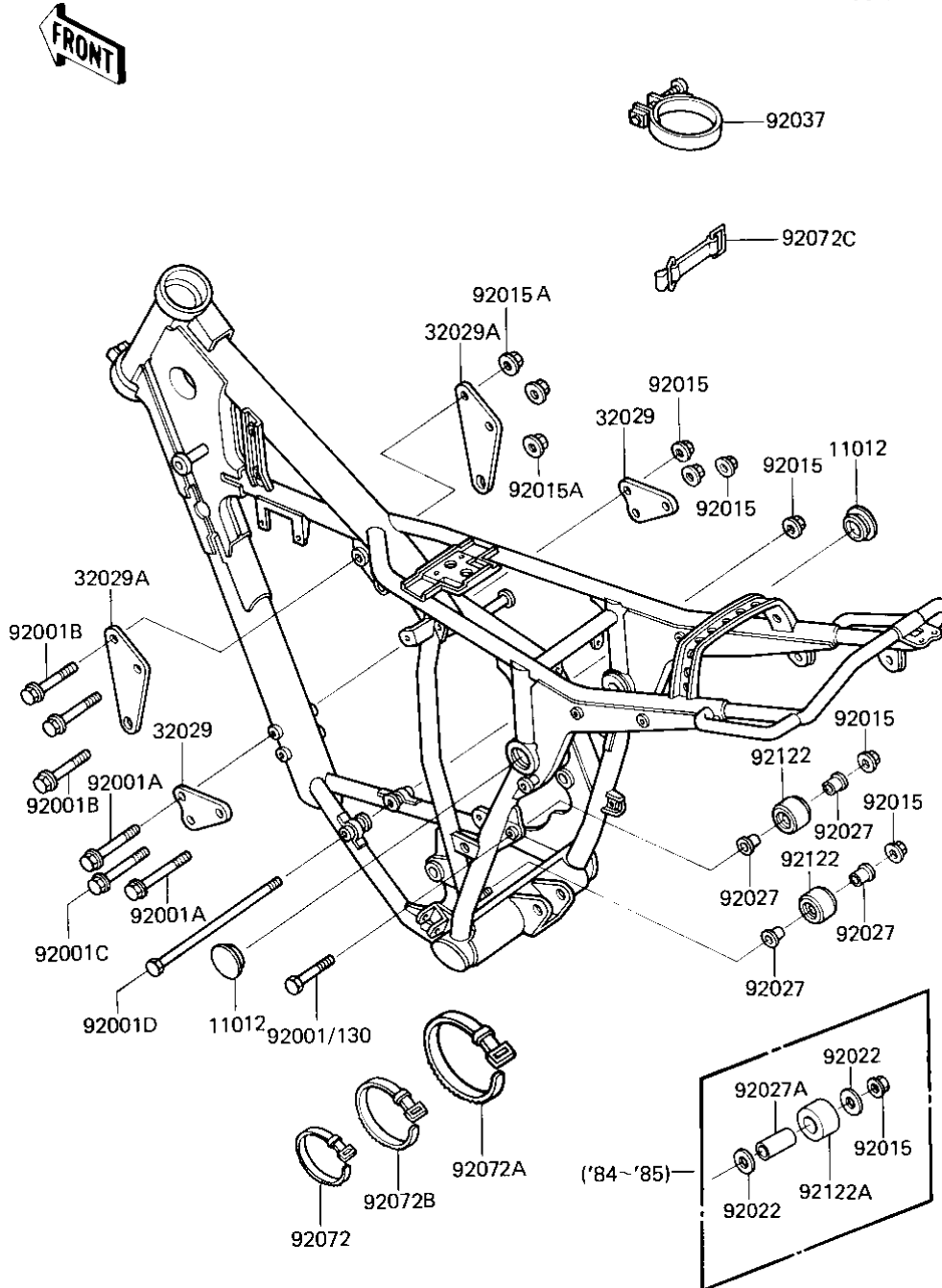


1983 KDX200 PARTS DIAGRAM

FRAME FITTINGS

F2131-0175



1983 KDX200 PARTS LIST

FRAME FITTINGS

ITEM NAME	PART NUMBER	QUANTITY
CAP,UNI TRAK (Ref # 11012)	11012-1211	1
BRACKET-ENGINE (Ref # 32029)	32029-1173	1
BRACKET-ENGINE (Ref # 32029A)	32029-1231	1
BOLT,8X50 (Ref # 92001)	92001-1567	1
BOLT FLANGED,8X70 (Ref # 92001A)	92001-1583	1
BOLT,10X50 (Ref # 92001B)	92001-1584	1
BOLT,FLANGED,8X75 (Ref # 92001C)	92002-1481	1
BOLT,8X180 (Ref # 92001D)	92001-1756	1
NUT-8MM (Ref # 92015)	92015-1143	1
NUT,10MM (Ref # 92015A)	92015-1415	1
COLLAR,CHAIN GUIDE (Ref # 92027)	92027-1383	1
CLAMP (Ref # 92037)	92037-1172	1
BAND,SHORT (Ref # 92072)	92072-030	1
BAND,LONG (Ref # 92072A)	92072-032	1
BAND,WIRING HARNESS (Ref # 92072B)	92072-056	1
BAND,RESERVE TANK (Ref # 92072C)	92072-1085	1
ROLLER,CHAIN GUIDE (Ref # 92122)	92122-1021	1