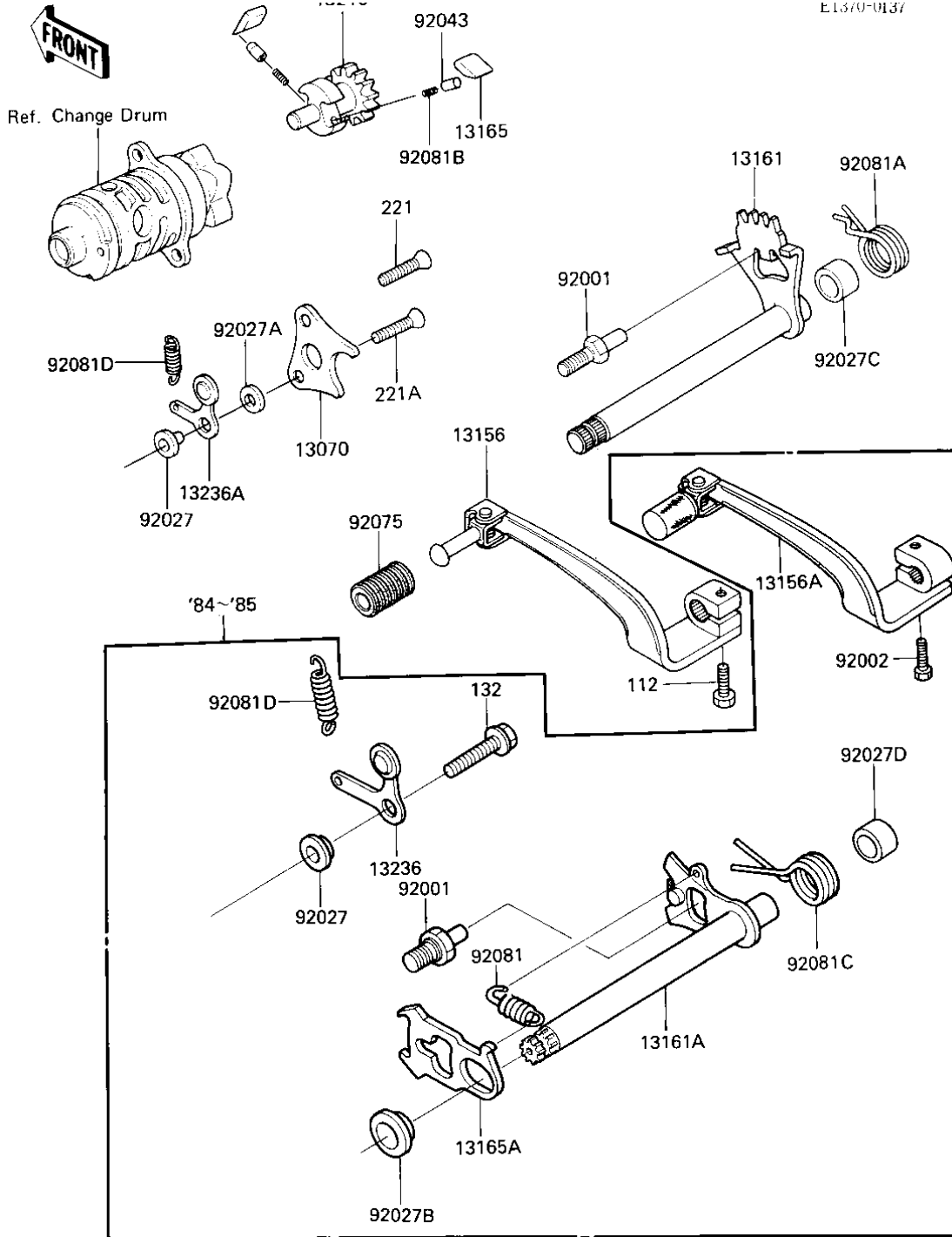


## 1983 KDX200 PARTS DIAGRAM

### GEAR CHANGE MECHANISM



## 1983 KDX200 PARTS LIST

### GEAR CHANGE MECHANISM

ITEM NAME	PART NUMBER	QUANTITY
GUIDE,RATCHET (Ref # 13070)	13070-1049	1
LEVER-CHANGE,PEDAL (Ref # 13156)	13156-1132	1
LEVER-COMP-CHANGE SHA (Ref # 13161)	13161-1049	1
PAWL,RATCHET (Ref # 13165)	13165-1026	1
RATCHET,CHANGE DRUM (Ref # 13216)	13216-1020	1
LEVER,CHANGE DRUM (Ref # 13236)	13236-1021	1
LEVER-COMP,CHANGE DRU (Ref # 13236A)	13236-1040	1
BOLT,RETURN SPRING (Ref # 92001)	92001-1401	1
COLLAR (Ref # 92027)	92027-1248	1
COLLAR,6X14X2.5 (Ref # 92027A)	92027-1509	1
COLLAR (Ref # 92027C)	92027-189	1
PIN (Ref # 92043)	92043-1067	1
DAMPER (Ref # 92075)	92075-1310	1
SPRING,TENTION (Ref # 92081A)	92081-1129	1
SPRING,RATCHET PAWL (Ref # 92081B)	92081-1201	1
SPRING,CHNG DRUM LEVER (Ref # 92081D)	92083-012	1
BOLT-UPSET (Ref # 112)	112G0625	1
SCREW CNTSNK HD 6X16 (Ref # 221)	221B0616	1
SCREW-CSK-CROS,6X22 (Ref # 221A)	221B0622	1