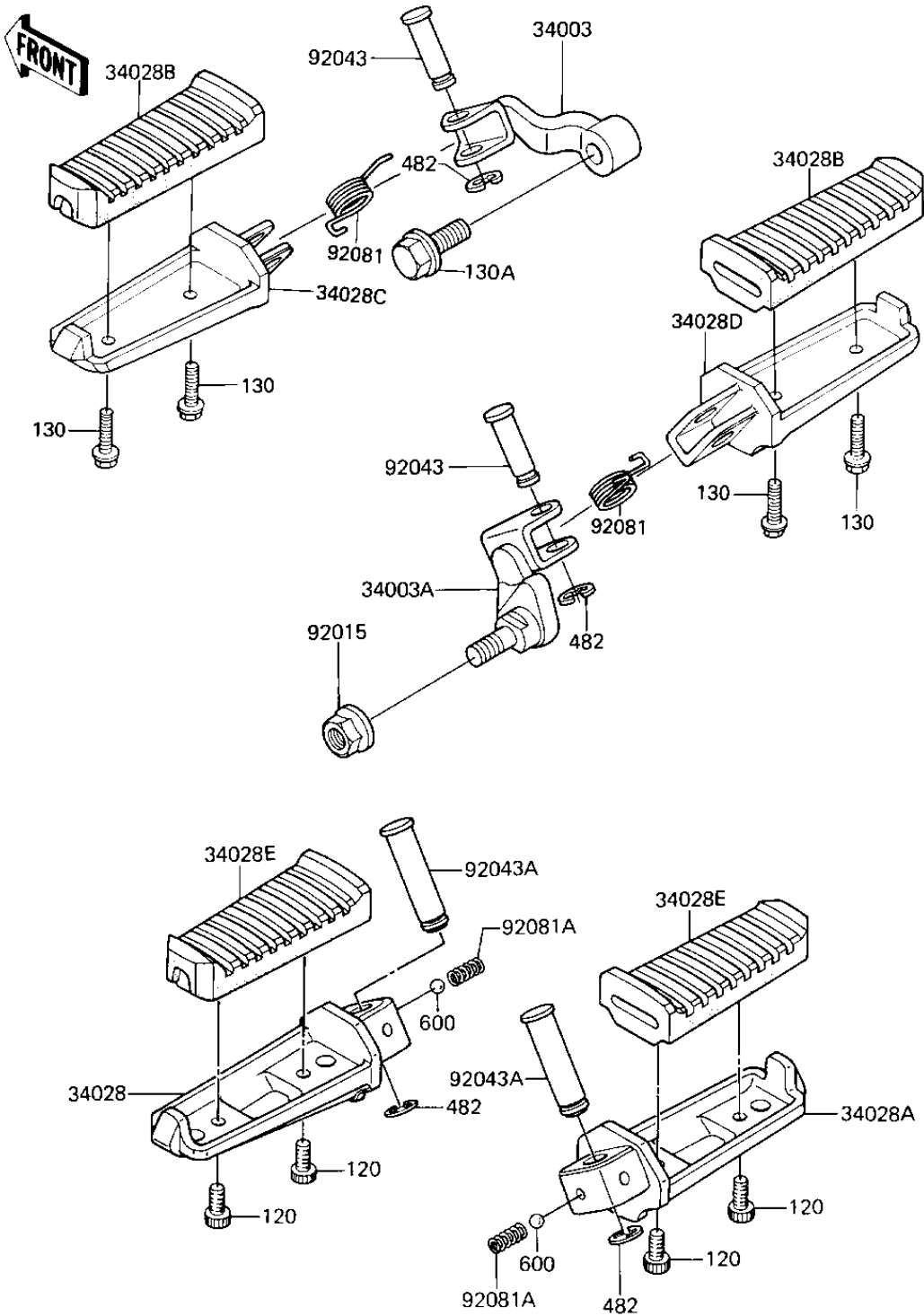


# 1984 LTD Shaft PARTS DIAGRAM

## FOOTRESTS

F2160-0118

—  
F  
—



# 1984 LTD Shaft PARTS LIST

## FOOTRESTS

ITEM NAME	PART NUMBER	QUANTITY
HOLDER-STEP,FR,LH (Ref # 34003)	34003-1213	1
HOLDER-STEP,FR,RH (Ref # 34003A)	34003-1214	1
STEP,RR,LH (Ref # 34028)	34028-1061	1
STEP,RR,RH (Ref # 34028A)	34028-1062	1
STEP,FR,RUBBER (Ref # 34028B)	34028-1132	2
STEP,FR,LH (Ref # 34028C)	34028-1133	1
STEP,FR,RH (Ref # 34028D)	34028-1134	1
STEP,RR,RUBBER (Ref # 34028E)	34028-1135	2
NUT-12MM (Ref # 92015)	92015-1156	1
PIN,12X37 (Ref # 92043)	92043-1144	2
PIN,12X42.5 (Ref # 92043A)	92043-1145	2
SPRING,STEP RETURN,RH (Ref # 92081)	92144-1568	2
SPRING,COIL,STEP,RR (Ref # 92081A)	92081-1588	2
BOLT-SOCKET (Ref # 120)	120Z0514	4
BOLT-FLANGED (Ref # 130)	130B0510	4
BOLT-FLANGED (Ref # 130A)	130C1235	1
CIR CLIP (Ref # 482)	482K0100	4
BALL STEEL 1/4' (Ref # 600)	600A0800	2