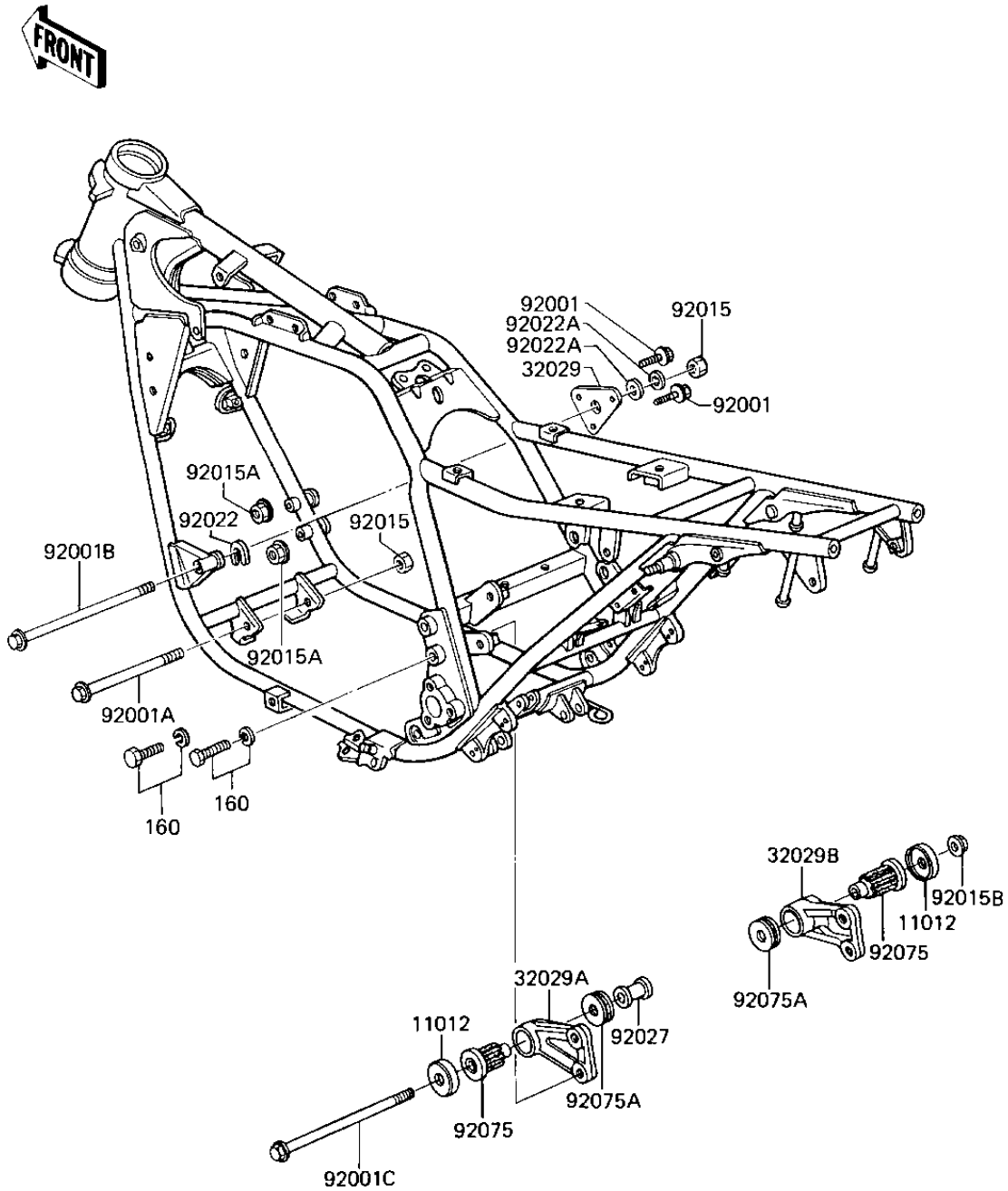


1984 LTD Shaft PARTS DIAGRAM

FRAME FITTINGS

F2131-0184



1984 LTD Shaft PARTS LIST

FRAME FITTINGS

ITEM NAME	PART NUMBER	QUANTITY
CAP,ENG MOUNT DAMPER (Ref # 11012)	11012-1182	2
BRACKET-ENGINE (Ref # 32029)	32029-1142	1
BRACKET-ENGINE,RR,LH (Ref # 32029A)	32029-1163	1
BRACKET-ENGINE,RR,RH (Ref # 92029B)	32029-1329	1
BOLT,FLANGED,8X65,BLA (Ref # 92001)	92001-1616	2
BOLT,FLANGED,10X155,B (Ref # 92001A)	92001-1620	1
BOLT,FLANGED,10X320,B (Ref # 92001B)	92001-1624	1
BOLT,FLANGED,10X320,B (Ref # 92001C)	92001-1625	1
NUT,FLANGED,10MM,BLAC (Ref # 92015)	92015-1180	2
NUT,FLANGED,8MM (Ref # 92015A)	92015-1408	2
NUT,12MM,BLACK (Ref # 92015B)	92015-1249	1
WASHER,U FORMED (Ref # 92022)	92022-1259	1
WASHER,PLAIN (Ref # 92022A)	92022-1022	2
COLLAR,13X25X39.5,BLA (Ref # 92027)	92027-1433	1
DAMPER,ENG MOUNT,RR,I (Ref # 92075)	92075-1330	2
DAMPER,ENG MOUNT,RR,S (Ref # 92075A)	92075-1331	2
UNAVAILABLE IN PRICE BOOK (Ref # 160)	16001045	4