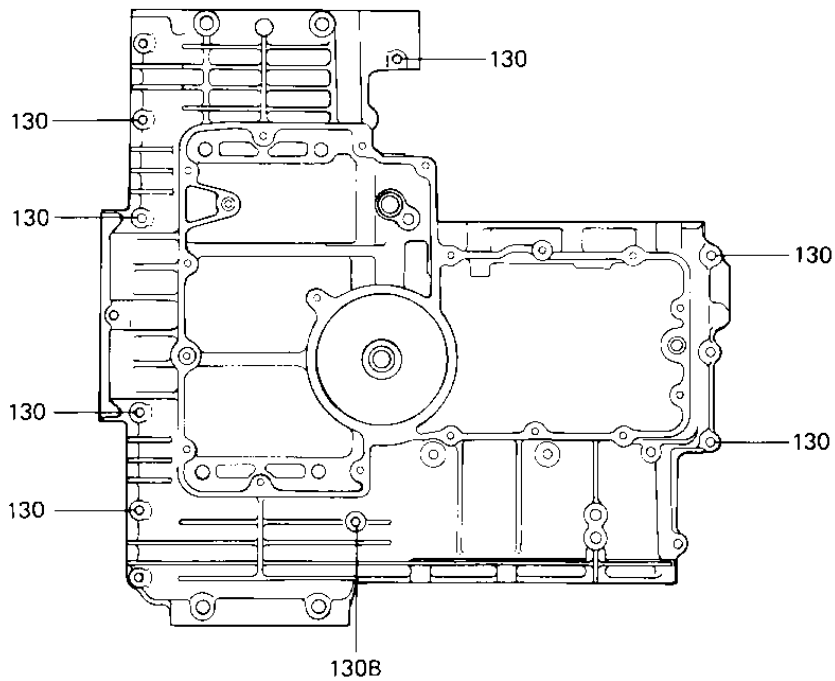
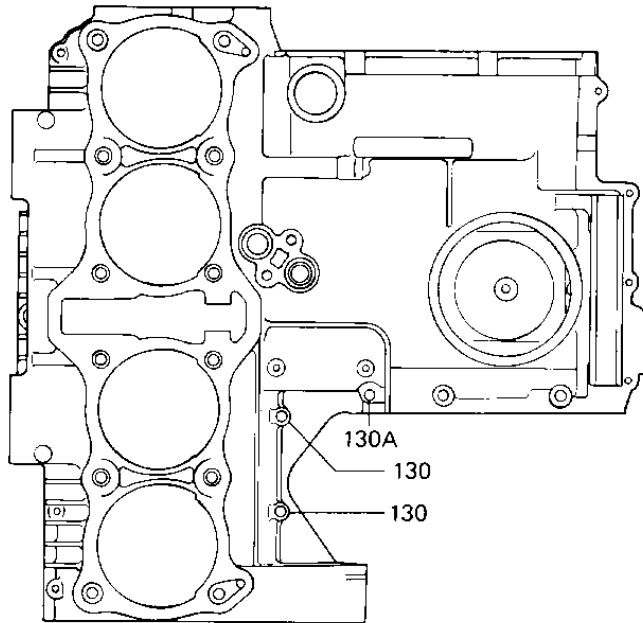


# 1984 LTD Shaft PARTS DIAGRAM

CRANKCASE BOLT & STUD PATTERN

E1412-0008



# 1984 LTD Shaft PARTS LIST

CRANKCASE BOLT & STUD PATTERN

<b>ITEM NAME</b>	<b>PART NUMBER</b>	<b>QUANTITY</b>
BOLT-FLANGED (Ref # 130)	130Y0640	9
BOLT-FLANGED (Ref # 130A)	130Y0650	1
BOLT-FLANGED (Ref # 130B)	130Y0695	1