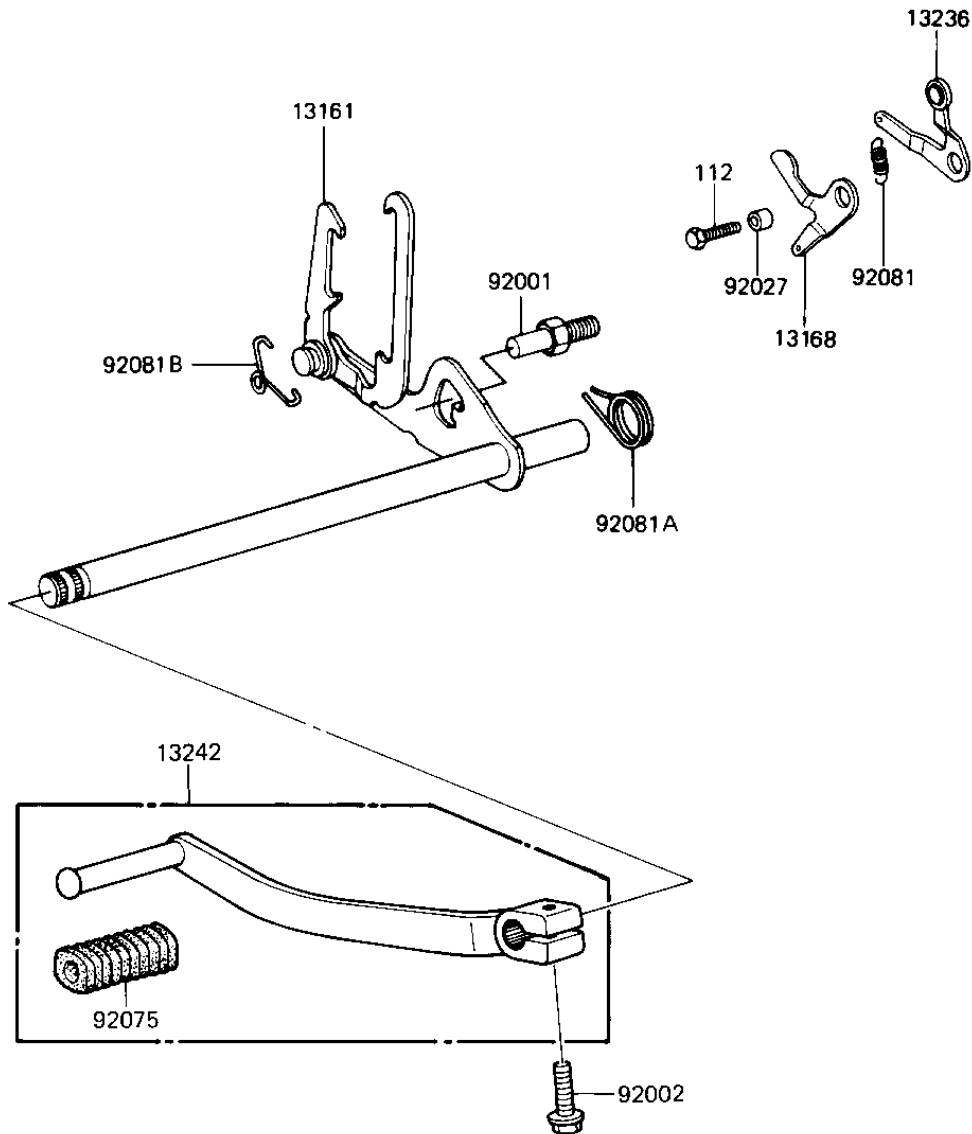


1984 LTD Shaft PARTS DIAGRAM

GEAR CHANGE MECHANISM

E1370-0150



1984 LTD Shaft PARTS LIST

GEAR CHANGE MECHANISM

ITEM NAME	PART NUMBER	QUANTITY
LEVER-COMP-CHANGE SHA (Ref # 13161)	13161-1023	1
LEVER,GEAR POSITIONIN (Ref # 13168)	13168-1083	1
LEVER-COMP,NEUTRAL PO (Ref # 13236)	13236-1031	1
LEVER-ASSY-CHANGE (Ref # 13242)	13242-1182	1
BOLT,RETURN SPRING (Ref # 92001)	92001-1401	1
BOLT,6X20 (Ref # 92002)	92002-1237	1
COLLAR,GEAR POSITIONI (Ref # 92027)	92027-1331	1
RUBBER CHANGE PEDAL (Ref # 92075)	13157-004	1
SPRING,CHANGE LEVER (Ref # 92081)	92081-1109	1
SPRING,CHANGE PEDAL R (Ref # 92081A)	92081-1589	1
SPRING,KICK PAWL (Ref # 92081B)	92083-018	1
BOLT-UPSET,6X16 (Ref # 112)	112G0616	1