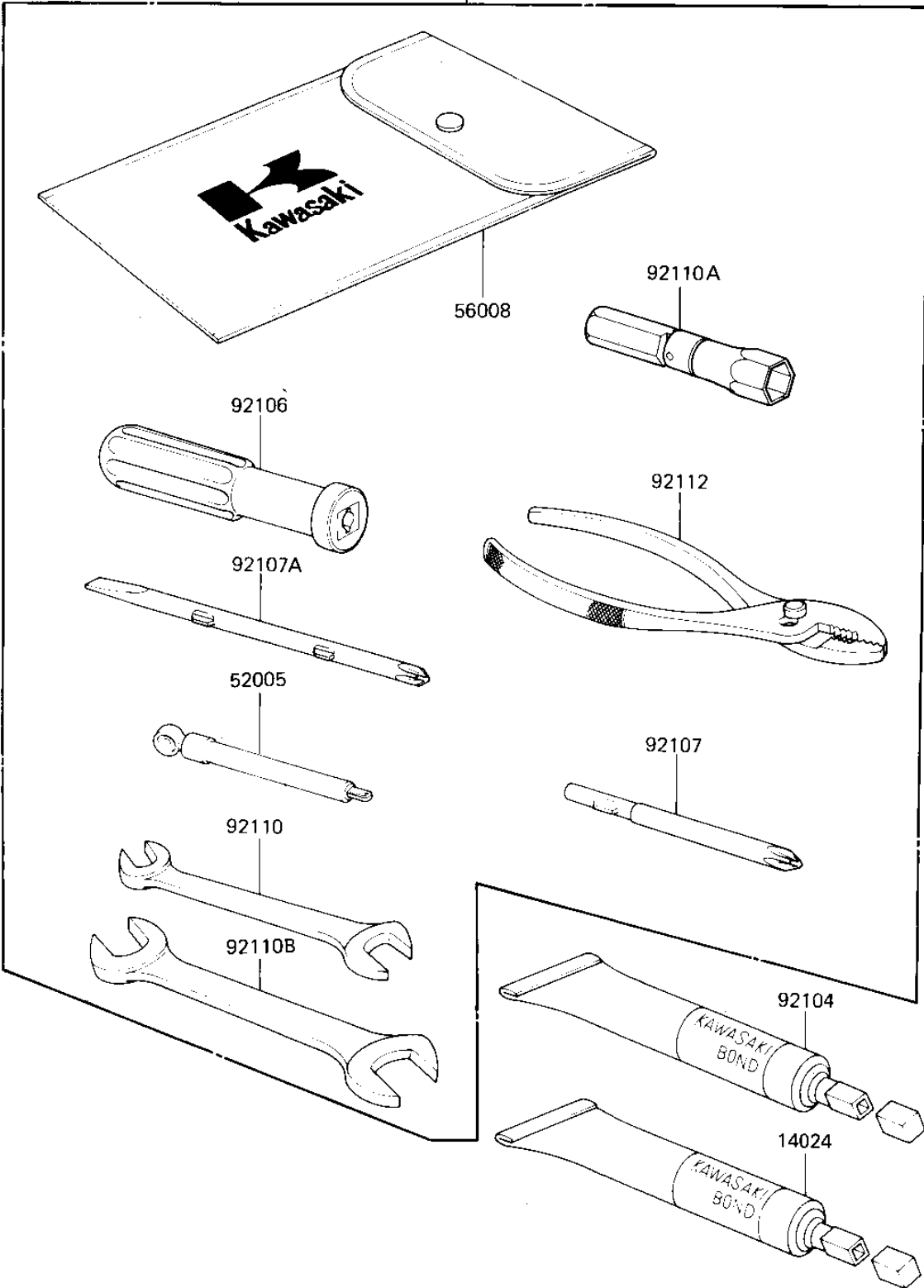


1986 Eliminator PARTS DIAGRAM

OWNER TOOLS

56007

F2810-0213



1986 Eliminator PARTS LIST

OWNER TOOLS

ITEM NAME	PART NUMBER	QUANTITY
BOND,#10 (Ref # 14024)	56019-120	1
GAUGE,AIR,3.5KG/CM2 (Ref # 52005)	52005-1031	1
TOOLKIT (Ref # 56007)	56007-1305	1
BAG,TOOL (Ref # 56008)	56008-1007	1
GASKET-LIQUID,BLACK (Ref # 92104)	92104-1003	1
GRIP,SCREW DRIVER (Ref # 92106)	92106-1001	1
SCREW DRIVER #3 PHILIP (Ref # 92107)	92107-005	1
92107-1052 (Canada) (Ref # 92107A)	92107-1051	1
TOOL-WRENCH,OPEN END, (Ref # 92110)	92110-1152	1
TOOL-WRENCH,BOX,18MM (Ref # 92110A)	92110-1133	1
TOOL-WRENCH,OPEN END, (Ref # 92110B)	92110-1153	1
PLIERS,160MM (Ref # 92112)	92112-003	1