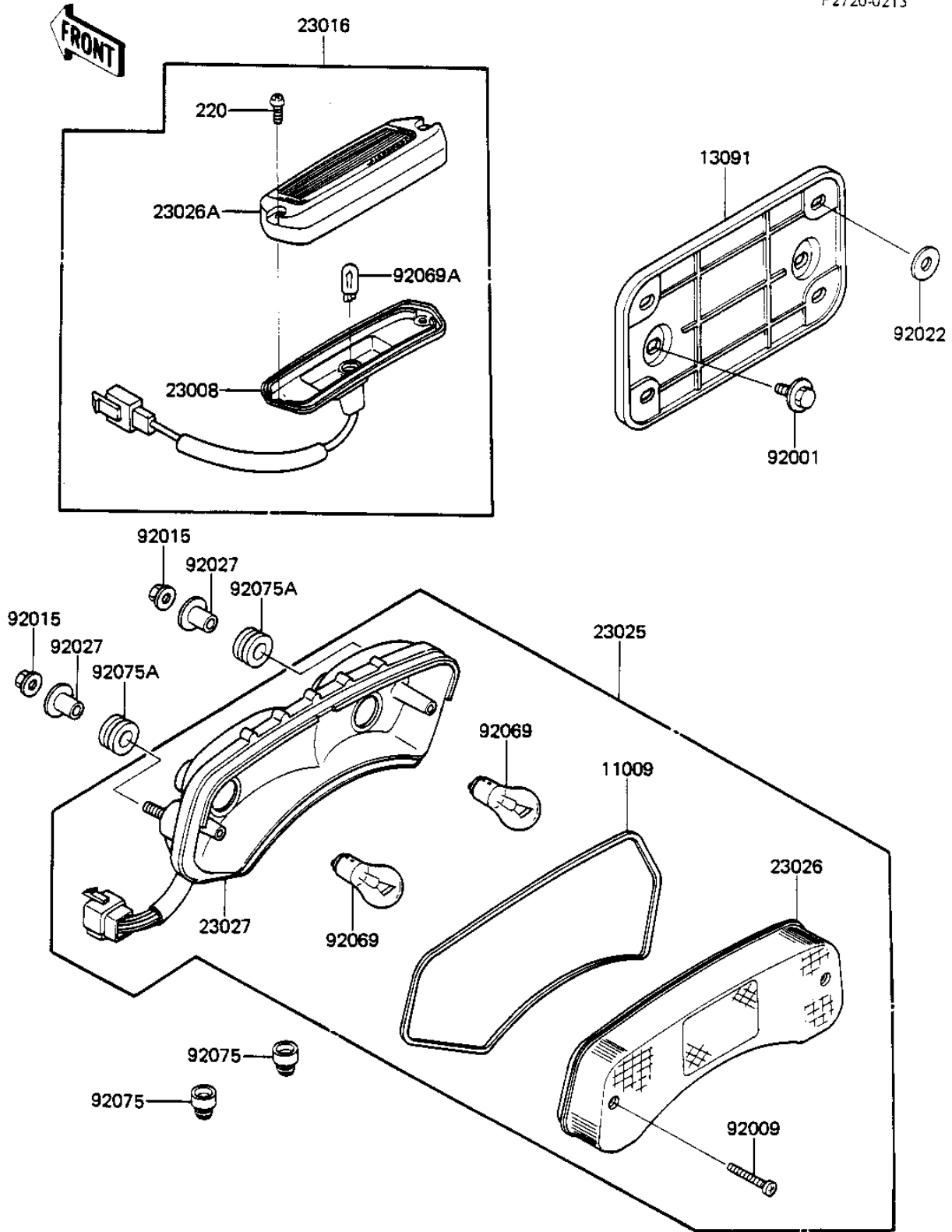


1986 Eliminator PARTS DIAGRAM

TAILLIGHT

F2720-0213



1986 Eliminator PARTS LIST

TAILIGHT

ITEM NAME	PART NUMBER	QUANTITY
GASKET,TAIL LAMP LENS (Ref # 11009)	11009-1524	1
HOLDER,LICENSE (Ref # 13091)	13091-1379	1
SOCKET-ASSY,LICENSE L (Ref # 23008)	23008-1271	1
LAMP-ASSY,LICENSE (Ref # 23016)	23016-1065	1
LAMP-TAIL (Ref # 23025)	23025-1123	1
LENS,TAIL LAMP (Ref # 23026)	23026-1068	1
LENS,LICENSE LAMP (Ref # 23026A)	23026-1069	1
BODY-COMP-TAIL LAMP (Ref # 23027)	23027-1062	1
BOLT,6X14,BLACK (Ref # 92001)	92001-1847	2
SCREW,TAPPING (Ref # 92009)	92009-1056	2
NUT-6MM (Ref # 92015)	92015-1078	2
WASHER,6.5X20X1.6.BLA (Ref # 92022)	92022-1346	4
COLLAR (Ref # 92027)	92027-251	2
BULB,12V 32/3CP (Ref # 92069)	92069-059	2
BULB,12V3.4W (Ref # 92069A)	92069-1007	1
DAMPER RUBB SPEEDMETR (Ref # 92075)	92075-035	2
DAMPER (Ref # 92075A)	92075-1690	2
SCREW-PAN-CROS,4X20 (Ref # 220)	220C0420	2