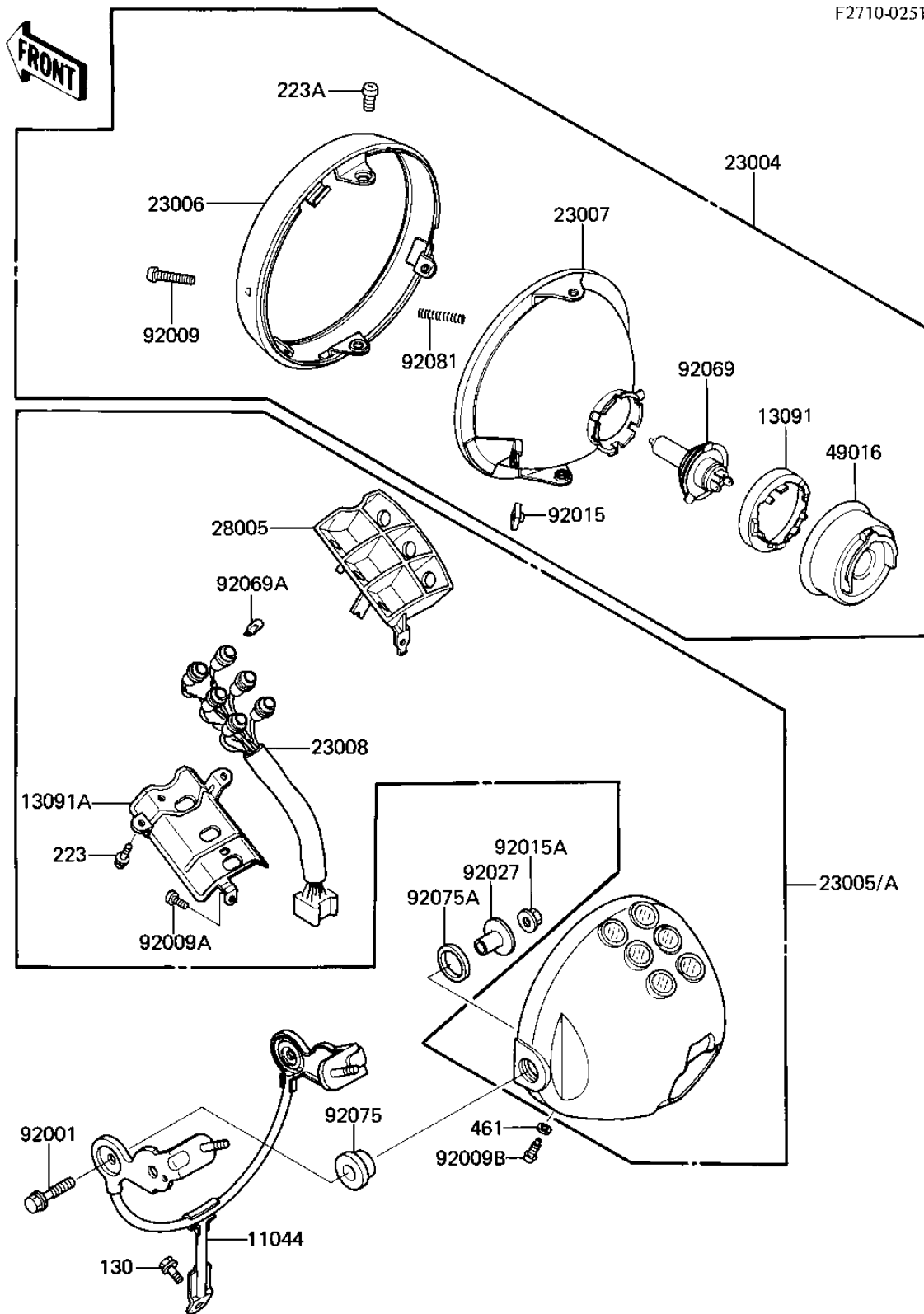


1986 Eliminator PARTS DIAGRAM

HEADLIGHT

F2710-0251



1986 Eliminator PARTS LIST

HEADLIGHT

ITEM NAME	PART NUMBER	QUANTITY
BRACKET,HEAD LAMP STA (Ref # 11044)	11044-1259	1
HOLDER (Ref # 13091)	13091-1386	1
HOLDER (Ref # 13091A)	13091-1387	1
LAMP-HEAD (Ref # 23004)	23004-1188	1
BODY-COMP-HEAD LAMP,E (Ref # 23005)	23005-1061-H8	1
RIM-LAMP (Ref # 23006)	23006-1057	1
LENS-COMP (Ref # 23007)	23007-1136	1
SOCKET-ASSY (Ref # 23008)	23008-1281	1
BODY-LAMP (Ref # 28005)	28005-1053	1
COVER-SEAL (Ref # 49016)	49016-1110	1
BOLT,FLANGED,8X35 (Ref # 92001)	92001-1910	2
UNAVAILABLE IN PRICE BOOK (Ref # 92009)	92009-139	1
SCREW (Ref # 92009A)	92009-1395	1
SCREW-PAN HEAD,5MM (Ref # 92009B)	92011-024	2
NUT ADJUST (Ref # 9201)	23020-012	1
NUT,8M/M (Ref # 92015A)	92015-1014	2
COLLAR,HEAD LAMP FITT (Ref # 92027)	92027-1131	2
BULB,12V-60/55W (Ref # 92069)	92069-1002	1
BULB,12V3W T-7 (Ref # 92069A)	92069-1020	6
DAMPER,HEAD LAMP FITT (Ref # 92075)	92075-1109	2
DAMPER,HEAD LAMP FITT (Ref # 92075A)	92075-1110	2
SPRING (Ref # 92081)	92081-1892	1
BOLT,FLANGED,6X10 (Ref # 130)	130N0610	1
SCREW-PAN-WS-CROS (Ref # 223)	223D0410	2
SCREW-PAN-WS-CROS (Ref # 223A)	223D0510	2
WASHER SPRING 5MM (Ref # 461)	461F0500	2