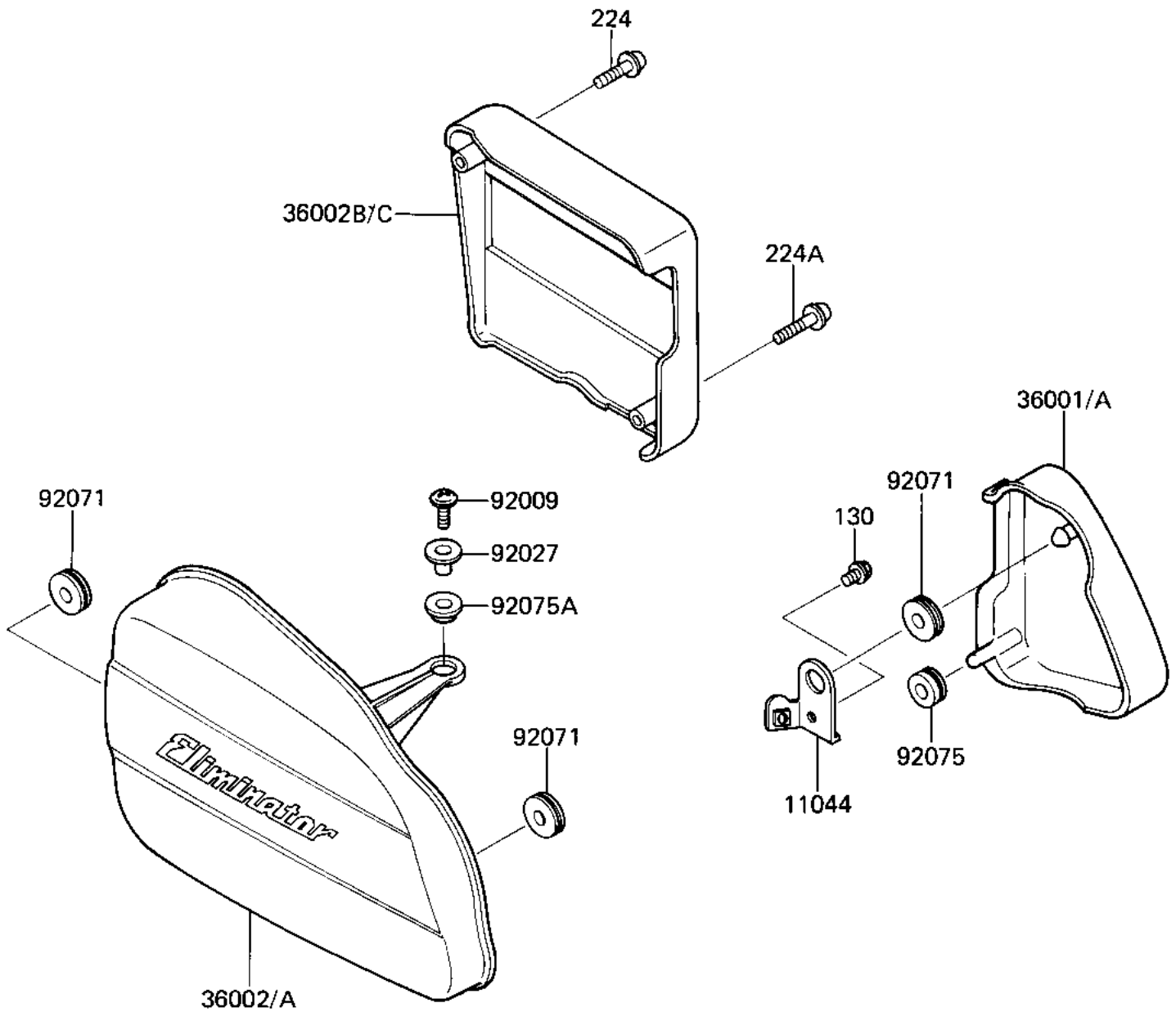


# 1985 Eliminator PARTS DIAGRAM

SIDE COVERS

F2611-0007



# 1985 Eliminator PARTS LIST

## SIDE COVERS

ITEM NAME	PART NUMBER	QUANTITY
BRACKET,SIDE COVER (Ref # 11044)	11044-1258	1
COVER-SIDE,RH,SUB,EBO (Ref # 36001)	36001-1301-H8	1
COVER-SIDE,RH,SUB,L.R (Ref # 36001A)	36001-1301-7V	1
COVER-SIDE,LH,EBONY (Ref # 36002)	36002-5080-H8	1
COVER-SIDE,LH,L.RED (Ref # 36002A)	36002-5080-7V	1
COVER-SIDE,RH,BATTERY (Ref # 36002B)	36002-5081-H8	1
COVER-SIDE,RH,BATTERY (Ref # 36002C)	36002-5081-7V	1
SCREW (Ref # 92009)	92009-1663	1
COLLAR (Ref # 92027)	92027-1795	1
GROMMET (Ref # 92071)	92071-056	3
DAMPER RUBBER (Ref # 92075)	92075-076	1
DAMPER,RUBBER (Ref # 92075A)	92075-1244	1
BOLT,FLANGED,6X10 (Ref # 130)	130B0610	1
SCREW-PAN-WP-CROS (Ref # 224)	224C0635	1
SCREW-PAN-WP-CROS (Ref # 224A)	224C0640	1