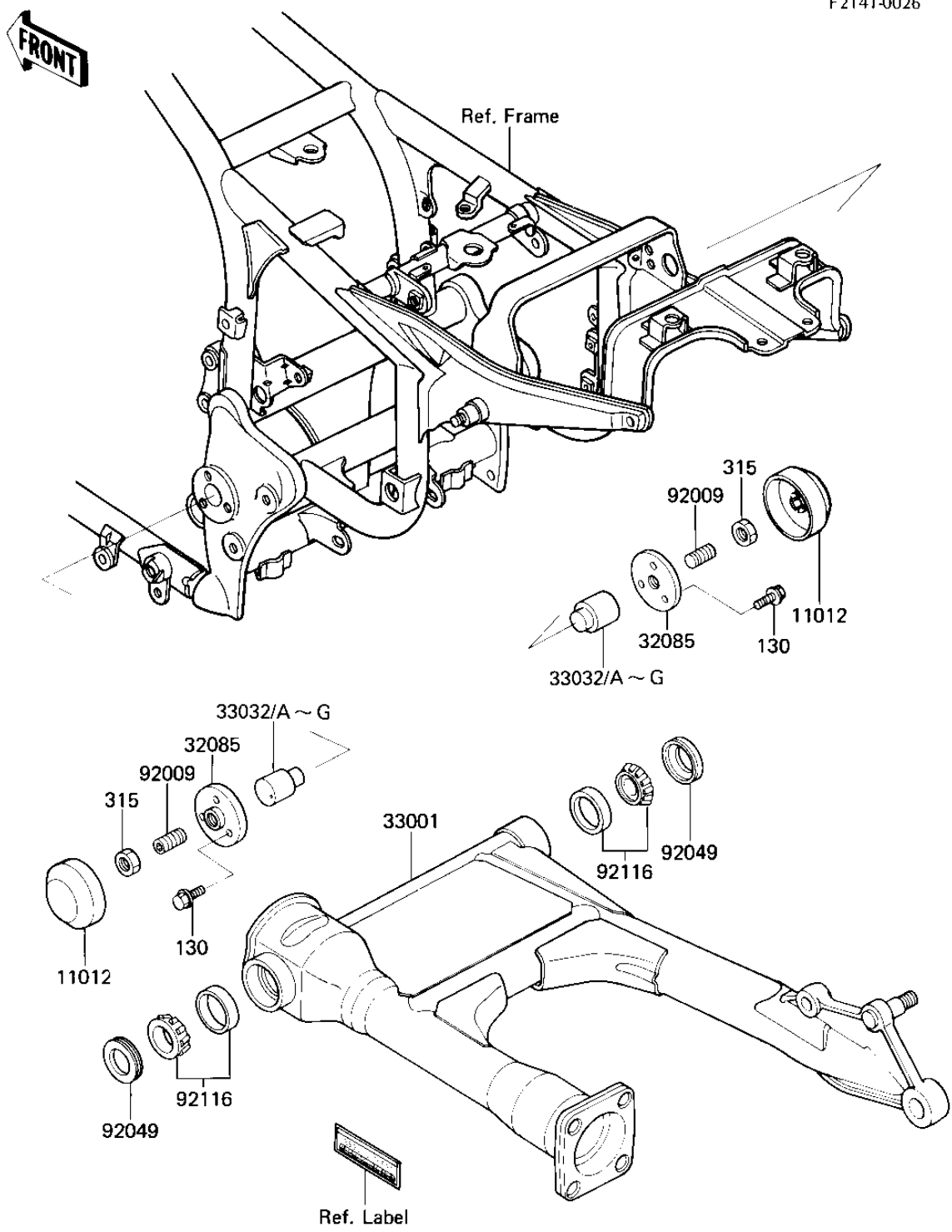


1985 Eliminator PARTS DIAGRAM

SWING ARM

F2141-0026



1985 Eliminator PARTS LIST

SWING ARM

ITEM NAME	PART NUMBER	QUANTITY
CAP,SWING ARM (Ref # 11012)	11012-1458	2
STOPPER (Ref # 32085)	32085-1212	2
ARM-COMP-SWING (Ref # 33001)	33001-1244	1
SHAFT-SWING ARM,"A"SI (Ref # 33032)	33032-1117-AA	AR
SHAFT-SWING ARM,"B"SI (Ref # 33032A)	33032-1117-BB	AR
SHAFT-SWING ARM,"C"SI (Ref # 33032B)	33032-1117-CC	AR
SHAFT-SWING ARM,"W"SI (Ref # 33032C)	33032-1117-WW	AR
SHAFT-SWING ARM,"X"SI (Ref # 33032D)	33032-1117-XX	AR
SHAFT-SWING ARM,"Y"SI (Ref # 33032E)	33032-1117-YY	AR
SHAFT-SWING ARM,"Z"SI (Ref # 33032F)	33032-1117-ZZ	AR
SHAFT-SWING ARM (Ref # 33032G)	33032-1119	2
SCREW,SOCKET,12X25 (Ref # 92009)	92009-1388	2
OIL SEAL,26406 (Ref # 92049)	92049-1030	2
BRG,ROLLER,4T30203E1 (Ref # 92116)	92116-1001	2
BOLT-FLANGED,6X20 (Ref # 130)	130P0620	6
NUT-HEX-FINE,12MM (Ref # 315)	315B1200	2