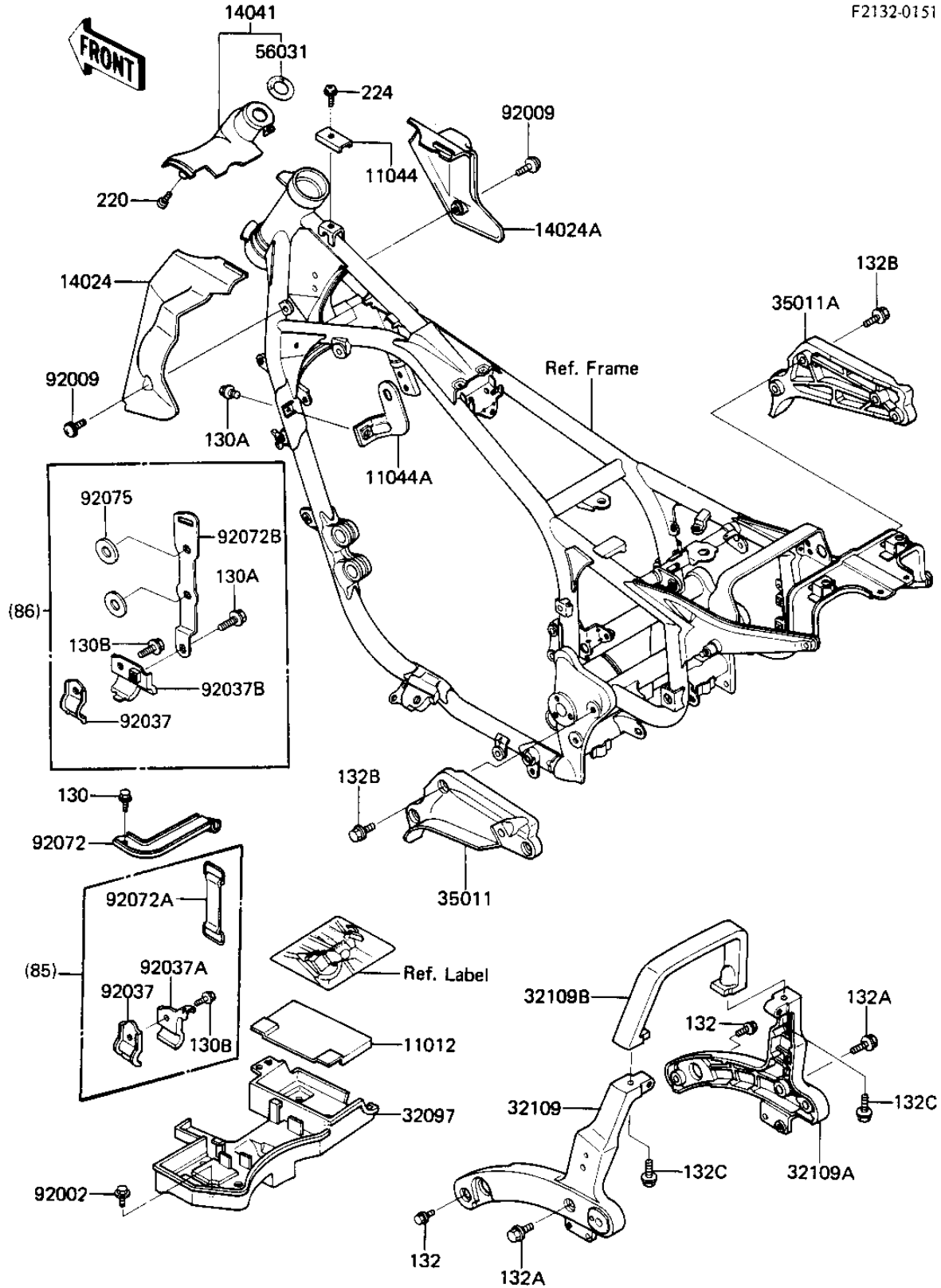


1986 Eliminator PARTS DIAGRAM

BATTERY CASE

F2132-0151



1986 Eliminator PARTS LIST

BATTERY CASE

ITEM NAME	PART NUMBER	QUANTITY
CAP,BATTERY (Ref # 11012)	11012-1447	1
BRACKET,GUSSET COVER (Ref # 11044)	11044-1293	1
BRACKET (Ref # 11044A)	11044-1424	1
COVER,FUEL TANK,LH (Ref # 14024)	14024-1075	1
COVER,FUEL TANK,RH (Ref # 14024A)	14024-1076	1
COVER-COMP,HANDLE HOL (Ref # 14041)	14041-1062	1
CASE-BATTERY (Ref # 32097)	32097-1117	1
GRIP-FRAME,LWR,LH (Ref # 32109)	32109-1127	1
GRIP-FRAME,LWR,RH (Ref # 32109A)	32109-1128	1
GRIP-FRAME,UPP (Ref # 32109B)	32109-1129	1
STAY,MUFFLER,LH (Ref # 35011)	35011-1251	1
STAY,MUFFLER,RH (Ref # 35011A)	35011-1252	1
LABEL-MANUAL,IGNITION (Ref # 56031)	56031-1419	1
BOLT (Ref # 92002)	92002-1351	4
SCREW (Ref # 92009)	92009-1663	2
CLAMP,BRAKE HOSE (Ref # 92037)	92037-1670	1
BAND,BATTERY (Ref # 92072)	92072-1183	1
BOLT,FLANGED,6X10 (Ref # 130)	130B0610	1
BOLT-FLANGED,6X10,BLA (Ref # 130A)	130C0610	2
BOLT-FLANGED,6X12 (Ref # 130B)	130C0612	1
BOLT-FLANGED-SMALL (Ref # 132)	132E0625	2
BOLT-FLANGED-SMALL (Ref # 132A)	132E0820	2
BOLT-FLANGED-SMALL (Ref # 132B)	132E0825	4
BOLT-FLANGED-SMALL (Ref # 132C)	132G0825	2
SCREW PAN HEAD 5X10 (Ref # 220)	220B0510	2
SCREW-PAN-WP-CROS (Ref # 224)	224C0520	1