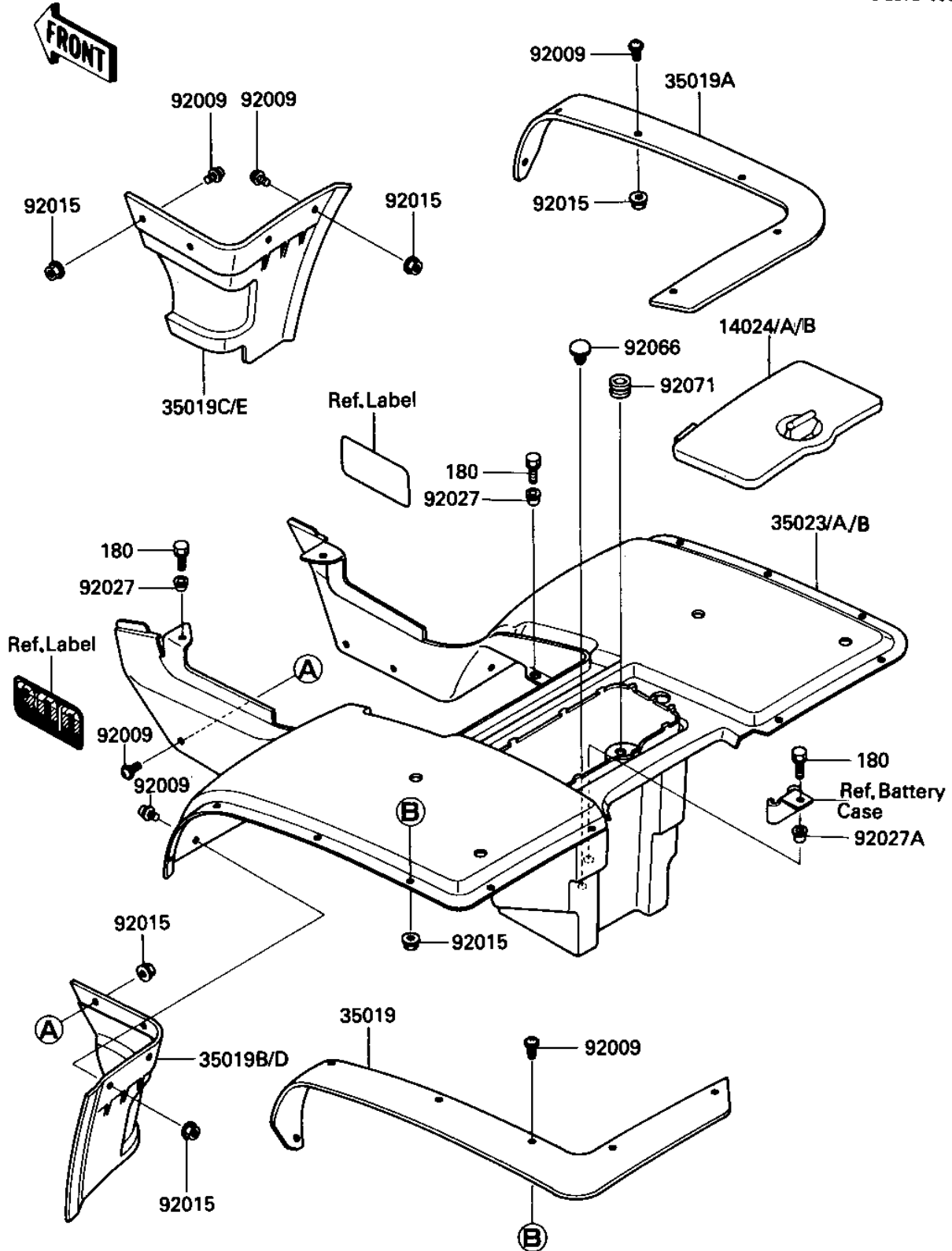


# 1986 Bayou 300 PARTS DIAGRAM

## REAR FENDER

F2172-0002



# 1986 Bayou 300 PARTS LIST

## REAR FENDER

ITEM NAME	PART NUMBER	QUANTITY
COVER,REAR FENDER,EBONY (Canad (Ref # 14024)	14024-1095-6C	1
COVER-FRAME,EBONY (Ref # 14024A)	14024-1095-6D	1
COVER-FRAME-RED (Ref # 14024B)	14024-1095-6L	1
FLAP,RR,LH (Ref # 35019)	35019-1150	1
FLAP,RR,RH (Ref # 35019A)	35019-1151	1
FLAP,RR,LWR,LH (Ref # 35019B)	35019-1152	1
FLAP,RR,LWR,RH (Ref # 35019C)	35019-1153	1
FLAP (Canada) (Ref # 35019D)	35019-1160	1
FLAP (Canada) (Ref # 35019E)	35019-1161	1
FENDER-REAR,EBONY (Canada) (Ref # 35023)	35023-1139-6C	1
FENDER-REAR-EBONY (Ref # 35023A)	35023-1139-6D	1
FENDER-REAR-RED (Ref # 35023B)	35023-1139-6L	1
SCREW,6X14 (Ref # 92009)	92009-1288	20
NUT,FLANGED,6MM,BLACK (Ref # 92015)	92015-1237	20
COLLAR,REAR FENDER (Ref # 92027)	92027-1181	4
COLLAR,L=5.6 (Ref # 92027A)	92027-1933	2
RUBBER PLUG (Ref # 92066)	92074-038	1
GROMMET (Ref # 92071)	92071-1131	1
BOLT-UPSET-WS (Ref # 180)	180D0618	6