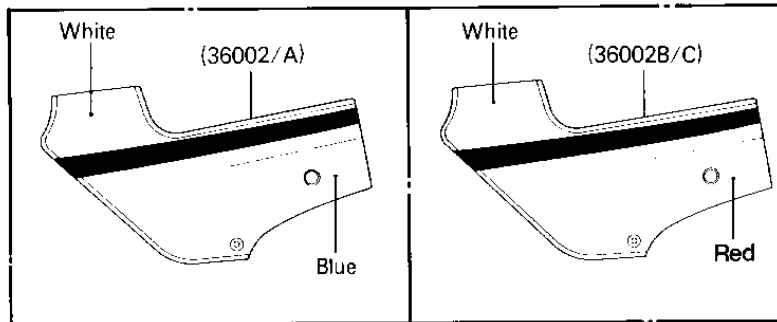
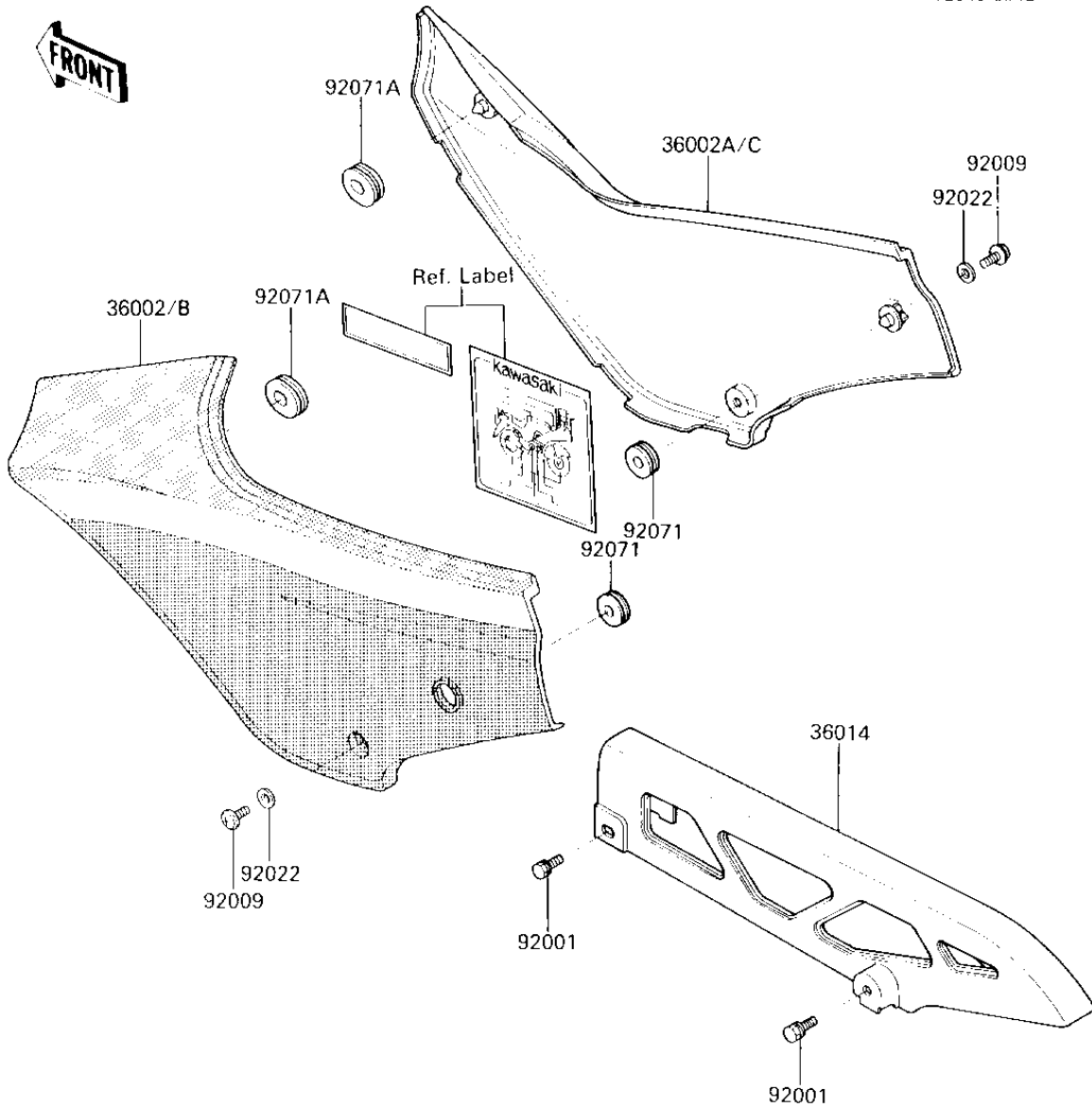


# 1986 Ninja® 600 PARTS DIAGRAM

SIDE COVERS/CHAIN COVER (ZX600-A2)

F2610-0312



**(Z)**

# 1986 Ninja® 600 PARTS LIST

SIDE COVERS/CHAIN COVER (ZX600-A2)

ITEM NAME	PART NUMBER	QUANTITY
CASE-CHAIN (Ref # 36014)	36014-1121	1
BOLT,6X12,BLACK (Ref # 92001)	92001-1956	2
SCREW,6X14 (Ref # 92009)	92009-1288	2
WASHER,6.5X16X1.0 (Ref # 92022)	92022-1654	1
GROMMET (Ref # 92071)	92071-056	2
GROMMET,SIDE COVER (Ref # 92071A)	92071-1043	2