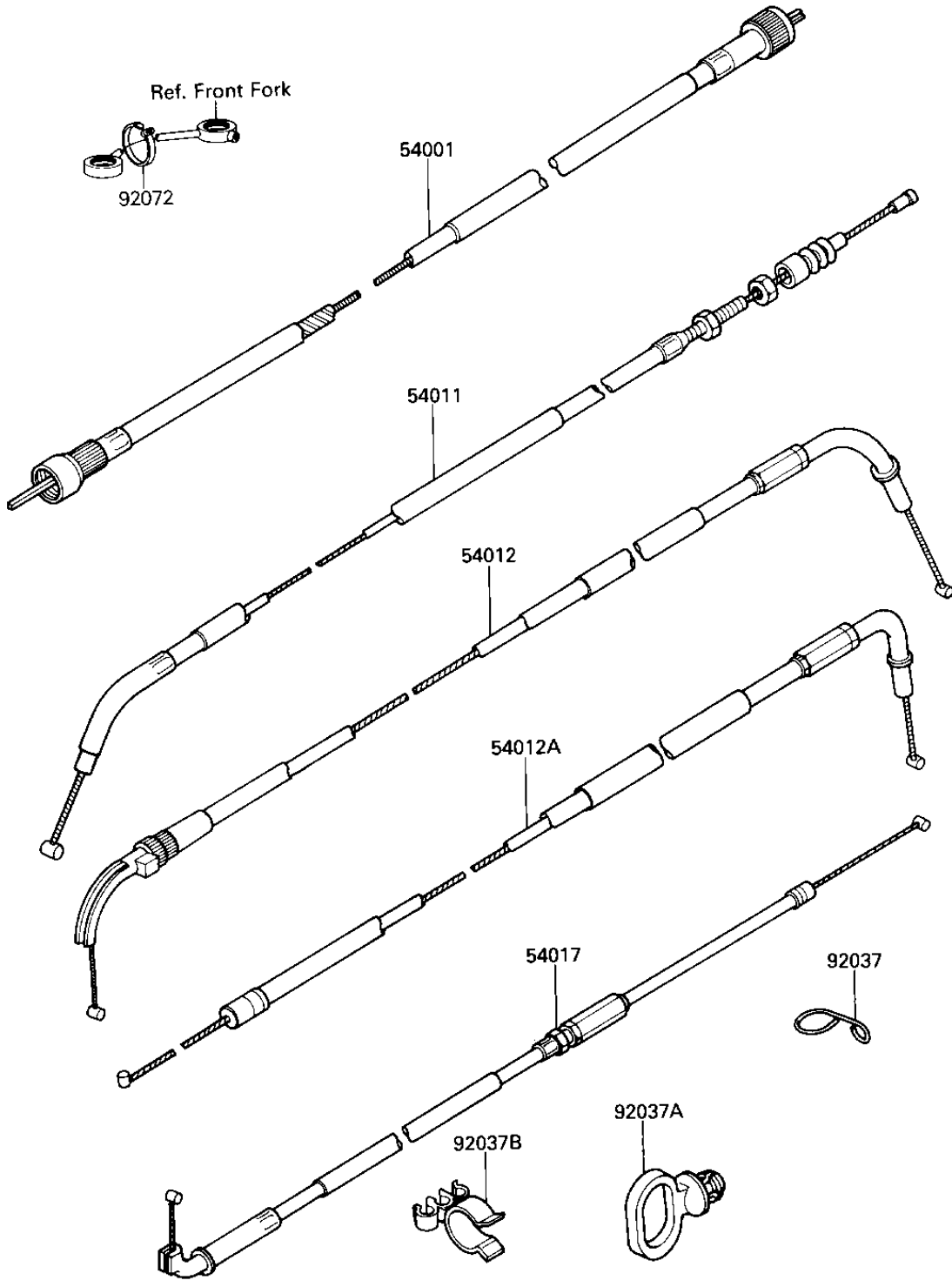


1985 Ninja® 600 PARTS DIAGRAM

CABLES

F2540-0241



R	N
5	
5	
5	
5	
5	
5	
5	
5	
5	
5	
5	

|

1985 Ninja® 600 PARTS LIST

CABLES

ITEM NAME	PART NUMBER	QUANTITY
CABLE-SPEEDOMETER (Ref # 54001)	54001-1195	1
CABLE-CLUTCH (Ref # 54011)	54011-1228	1
CABLE-THROTTLE,OPENIN (Ref # 54012)	54012-1247	1
CABLE-THROTTLE,CLOSIN (Ref # 54012A)	54012-1248	1
CABLE-STARTER (Ref # 54017)	54017-1060	1
CLAM,CABLE (Ref # 92037)	92037-1064	1
CLAMP,CABLE (Ref # 92037A)	92037-1459	1
CLAMP (Ref # 92037B)	92037-1658	1