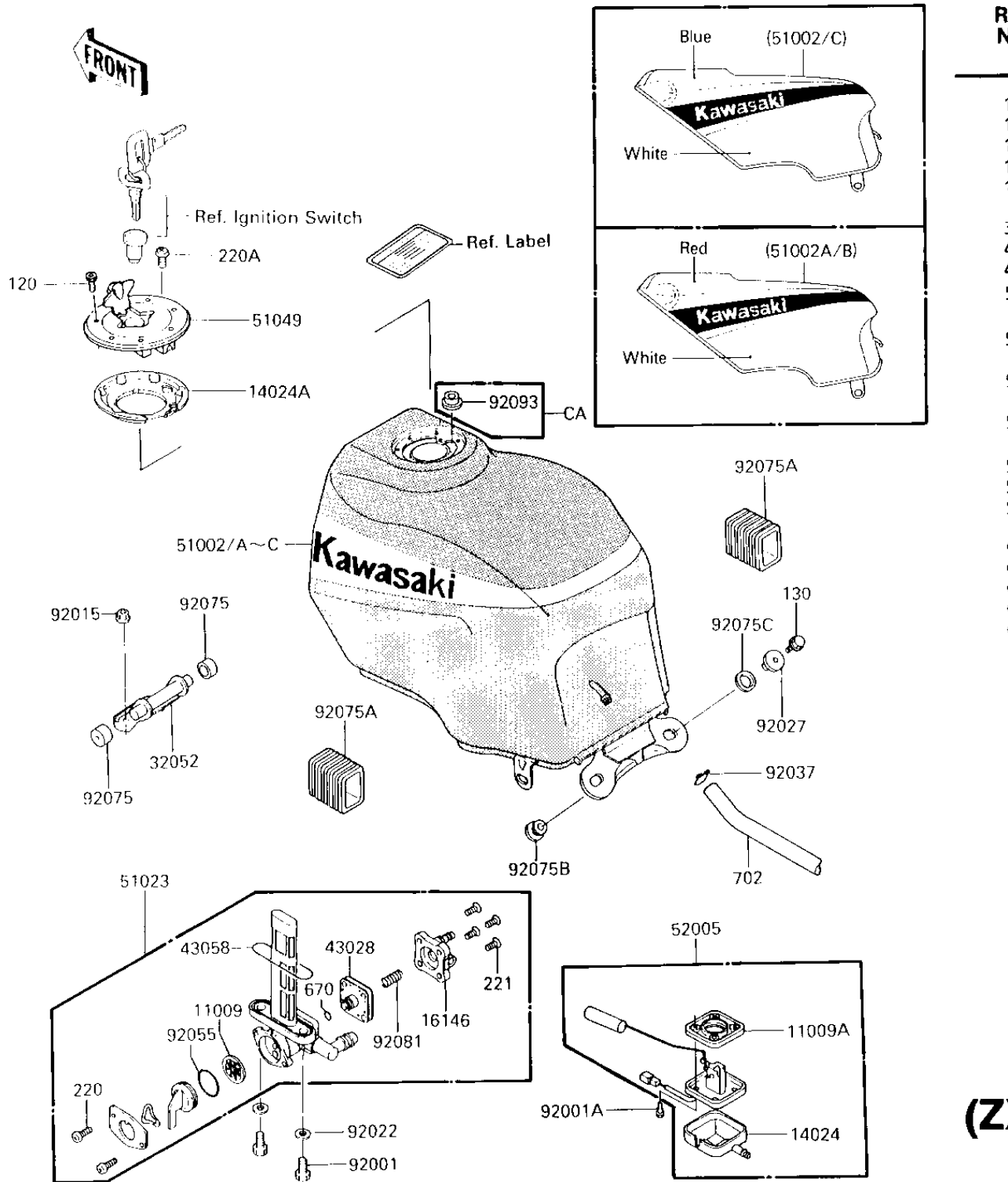


1986 Ninja® 600 PARTS DIAGRAM

FUEL TANK (ZX600-A2)

F2410-0.301



R

N

1

1

1

1

1

3

4

4

5

5

5

5

6

6

6

6

6

6

6

6

6

6

6

6

6

1986 Ninja® 600 PARTS LIST

FUEL TANK (ZX600-A2)

ITEM NAME	PART NUMBER	QUANTITY
GASKET,FUEL TAP (Ref # 11009)	11009-1188	1
GASKET,FUEL GAUGE (Ref # 11009A)	11009-1656	1
COVER,FUEL GAGE (Ref # 14024)	14025-1536	1
COVER (Ref # 14024A)	14025-1913	1
COVER ASSY,FUEL TAP (Ref # 16146)	16146-1009	1
BRACKET-TANK (Ref # 32052)	32052-1202	1
DIAPHRAGM (Ref # 43028)	43028-1033	1
"O" RING (Ref # 43058)	51039-003	1
TANK-COMP-FUEL,BLUE/W (Ref # 51002E)	51002-5143-S3	1
TANK-COMP-FUEL,RED/WH (Ref # 51002G)	51002-5169-P9	1
TANK-COMP-FUEL,RED/WH (Ref # 51002H)	51002-5170-P9	1
TANK-COMP-FUEL,BLUE/W (Ref # 51002I)	51002-5171-S3	1
TAP-ASSY,FUEL (Ref # 51023)	51023-1186	1
CAP-TANK,FUEL (Ref # 51049)	51049-1079	1
GAUGE,FUEL (Ref # 52005)	52005-1071	1
BOLT,6X20,FUEL TAP (Ref # 92001)	92001-1091	2
BOLT,FUEL GAGE (Ref # 92001A)	92001-1705	4
NUT,FLANGED,6MM (Ref # 92015)	92015-1367	2
WASHER-PLAIN (Ref # 92022)	92022-183	2
COLLAR (Ref # 92027)	92027-251	2
CLAMP FUEL PIPE (Ref # 92037)	92037-010	1
"O" RING,FUEL TAP LEV (Ref # 92055)	92055-1085	1
DAMPER,FUEL TANK,FRON (Ref # 92075)	92075-1115	2
DAMPER,FUEL TANK (Ref # 92075A)	92075-1700	2
RUBBER,FENDER COVER (Ref # 92075B)	92075-174	2
DAMPER RUBBER (Ref # 92075C)	92075-175	2
SPRING,DIAPHRAGM VALV (Ref # 92081)	92081-1240	1
OIL SEAL,FUEL TANK (Ref # 92093)	92093-1030	1
BOLT-SOCKET (Ref # 120)	120S0512	7

1986 Ninja® 600 PARTS LIST

FUEL TANK (ZX600-A2)

ITEM NAME	PART NUMBER	QUANTITY
BOLT-FLANGED,6X25 (Ref # 130)	130J0625	2
SCREW PAN HEAD 3X8 (Ref # 220)	220B0308	2
SCREW-PAN-CROS (Ref # 220A)	220C0508	1
SCREW-CSK-CROS,4X14 (Ref # 221)	221B0414	4
"O" RING,4MM (Ref # 670)	670B1504	1
TUBE-BREATHER (BULK) (Ref # 702)	702A071000	1