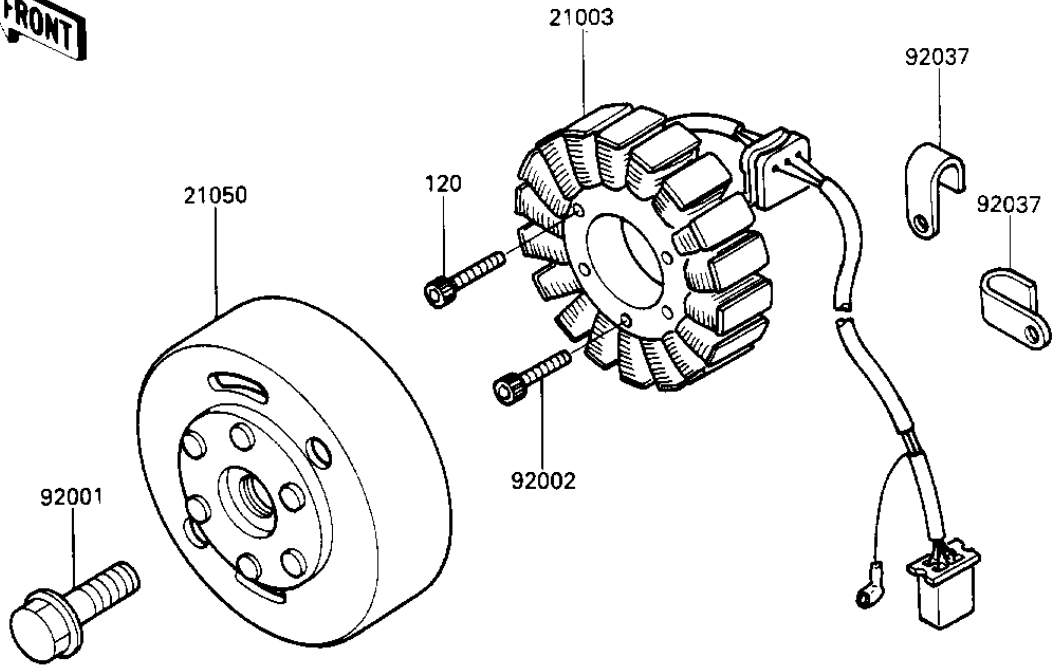


1986 Ninja® 600 PARTS DIAGRAM

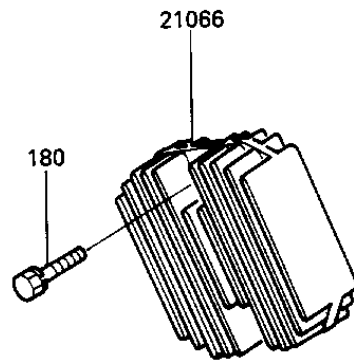
GENERATOR/REGULATOR



E1810-037

R
N

2
2
5
5



1986 Ninja® 600 PARTS LIST

GENERATOR/REGULATOR

ITEM NAME	PART NUMBER	QUANTITY
STATOR (Ref # 21003)	21003-1124	1
FLYWHEEL (Ref # 21050)	21050-1111	1
REGULATOR-VOLTAGE (Ref # 21066)	21066-1055	1
BOLT,12X40 (Ref # 92001)	92001-1146	1
BOLT,6X28 (Ref # 92002)	92002-1537	1
CLAMP,WIRING HARNESS (Ref # 92037)	21126-008	2
BOLT,ALLEN,6X28 (Ref # 120)	120P0628	2
BOLT-UPSET-WS (Ref # 180)	180B0620	2