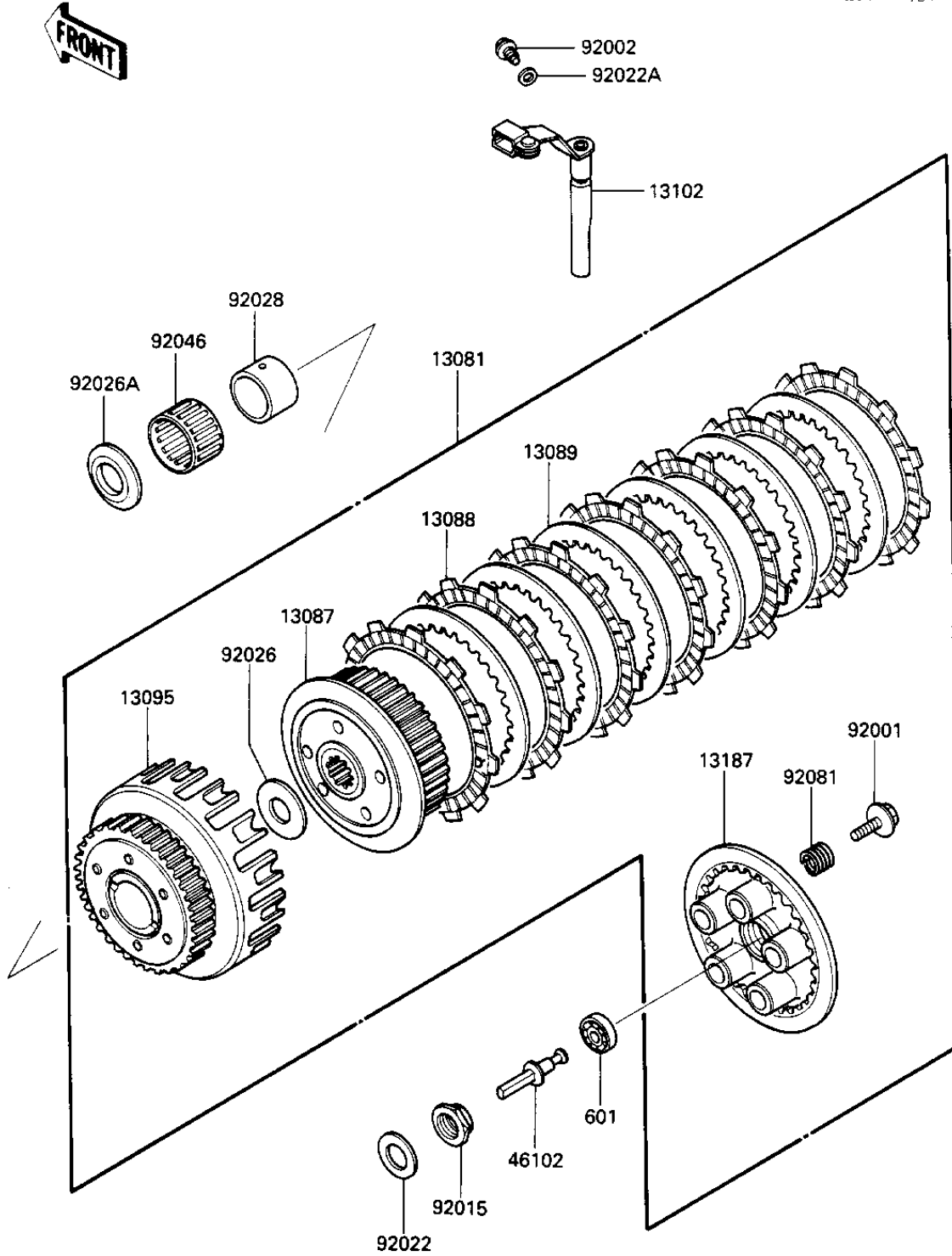


1985 Ninja® 600 PARTS DIAGRAM

CLUTCH

11538-01-01



R
N

- 1
- 1
- 1
- 1
- 1
- 1
- 1
- 4
- 9
- 9
- 9
- 9
- 9
- 9
- 9
- 9
- 9
- 9

1985 Ninja® 600 PARTS LIST

CLUTCH

ITEM NAME	PART NUMBER	QUANTITY
CLUTCH-ASSY (Ref # 13081)	13081-1198	1
HUB-CLUTCH (Ref # 13087)	13087-1067	1
PLATE,CLUTCH FRICTION (Ref # 13088)	13088-040	7
PLATE,CLUTCH STEEL (Ref # 13089)	13089-026	6
HOUSING-COMP-CLUTCH (Ref # 13095)	13095-1128	1
RELEASE-COMP-CLUTCH (Ref # 13102)	13102-1072	1
PLATE-CLUTCH OPERATIN (Ref # 13187)	13187-1012	1
ROD,CLUTCH (Ref # 46102)	46102-1146	1
BOLT,CLUTCH SPR FITT (Ref # 92001)	92001-1066	5
BOLT (Ref # 92002)	92002-1356	1
NUT,20MM (Ref # 92015)	92015-1555	1
WASHER,PLAIN,2.3X20.3 (Ref # 92022)	92022-1116	1
WASHER,PLAIN (Ref # 92022A)	92022-304	1
WASHER TH 25.5X47X2.5 (Ref # 92026)	92026-022	1
SPACER,THRUST,T=5.5MM (Ref # 92026A)	92026-116	1
BUSHING,CLUTCH (Ref # 92028)	92028-178	1
BEARING,KTV323723 (Ref # 92046)	92046-028	1
SPRING,CLUTCH (Ref # 92081)	92081-139	5
BEARING-BALL (Ref # 601)	92045-1235	1