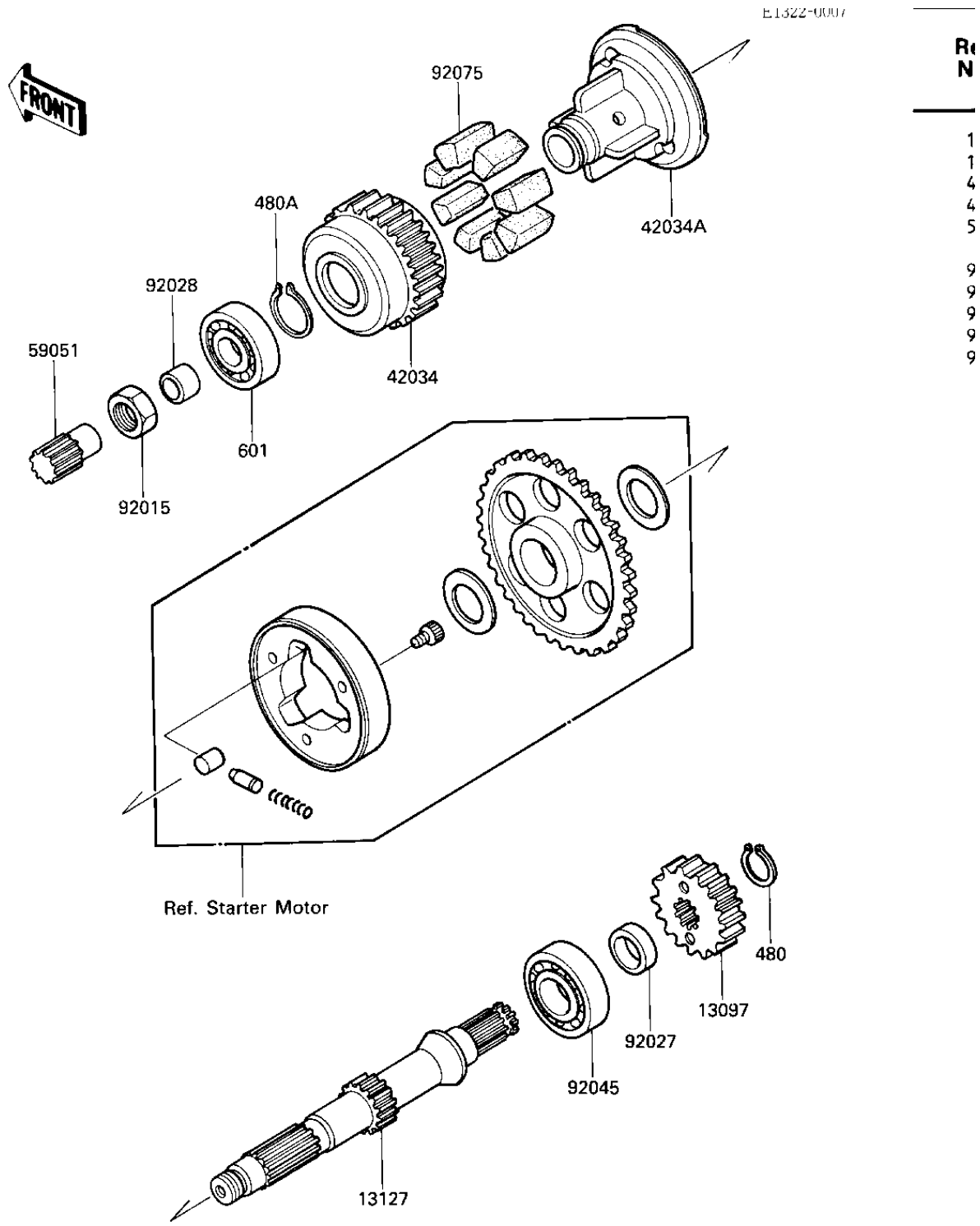


1986 Ninja® 600 PARTS DIAGRAM

SECONDARY SHAFT



|

1986 Ninja® 600 PARTS LIST

SECONDARY SHAFT

ITEM NAME	PART NUMBER	QUANTITY
GEAR-PRIMARY SPUR,28T (Ref # 13097)	13097-1141	1
SHAFT-TRANSMISSION IN (Ref # 13127)	13127-1123	1
COUPLING,OUTER (Ref # 42034)	42034-1004	1
COUPLING,INNER (Ref # 42034A)	42034-1005	1
GEAR-SPUR,10T (Ref # 59051)	59051-1137	1
NUT 20MM (Ref # 92015)	92016-028	1
COLLAR (Ref # 92027)	92027-1438	1
BUSHING,SECONDARY (Ref # 92028)	92028-1037	1
BEARING,BALL,#63/22X (Ref # 92045)	92045-1017	1
DAMPER RUBBER,COUPLNG (Ref # 92075)	92075-1070	8
CIRCLIP,22MM (Ref # 480)	480J2200	1
CIRCLIP 28MM (Ref # 480A)	480J2800	1
BEARING BALL #6205 (Ref # 601)	601B6205	1