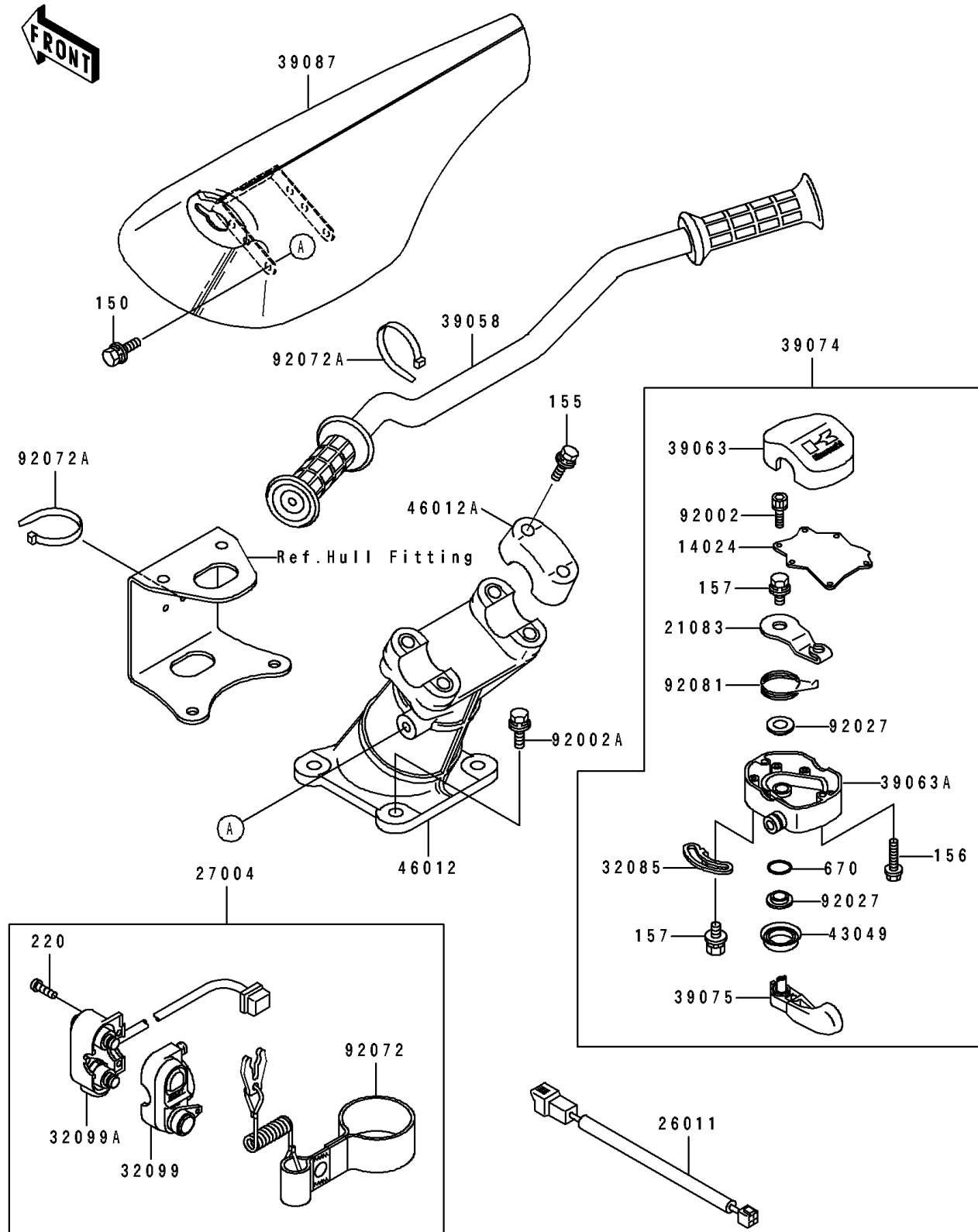


# 1994 XiR PARTS DIAGRAM

Handlebar

F3172



# 1994 XiR PARTS LIST

## Handlebar

ITEM NAME	PART NUMBER	QUANTITY
COVER,THROTTLE LEVER (Ref # 14024)	14024-3701	1
ARM,THROTTLE LEVER (Ref # 21083)	21083-3701	1
WIRE-LEAD,START&STOP SWITCH (Ref # 26011)	26011-3820	1
SWITCH-ASSY,STOP&START (Ref # 27004)	27004-3721	1
STOPPER (Ref # 32085)	32085-3709	1
CASE,FR,SWITCH (Ref # 32099)	32099-3762	1
CASE,RR,SWITCH (Ref # 32099A)	32099-3767	1
HANDLE-COMP (Ref # 39058)	39058-3707	1
HOUSING-CONTROL,UPP (Ref # 39063)	39063-3713	1
HOUSING-CONTROL,LWR (Ref # 39063A)	39063-3714	1
LEVER-ASSY-THROTTLE (Ref # 39074)	39074-3714	1
LEVER-THROTTLE (Ref # 39075)	39075-3708	1
PAD-HANDLE,C.BLUE (Ref # 39087)	39087-3710-PR	1
PACKING,THROTTLE LEVER (Ref # 43049)	43049-3701	1
HOLDER-HANDLE,LWR (Ref # 46012)	46012-3719	1
HOLDER-HANDLE,UPP (Ref # 46012A)	46012-3720	2
BOLT,SOCKET,3X10 (Ref # 92002)	92002-3751	6
BOLT,8X25 (Ref # 92002A)	92002-3774	4
COLLAR,THROTTLE LEVER (Ref # 92027)	92027-3704	2
BAND,TETHER SWITCH (Ref # 92072)	92072-3767	1
BAND (Ref # 92072A)	92072-3778	2
SPRING,THROTTLE LEVER RETURN (Ref # 92081)	92081-3702	1
BOLT-WS,6X14 (Ref # 150)	150R0614	2
BOLT-WSP-SMALL,8X35 (Ref # 155)	155R0835	4
BOLT-WP,5X25 (Ref # 156)	156R0525	2
BOLT-WSP,5X12 (Ref # 157)	157R0512	2
SCREW-PAN-CROS,5X30 (Ref # 220)	220R0530	2
O RING,8MM (Ref # 670)	670B1508	1