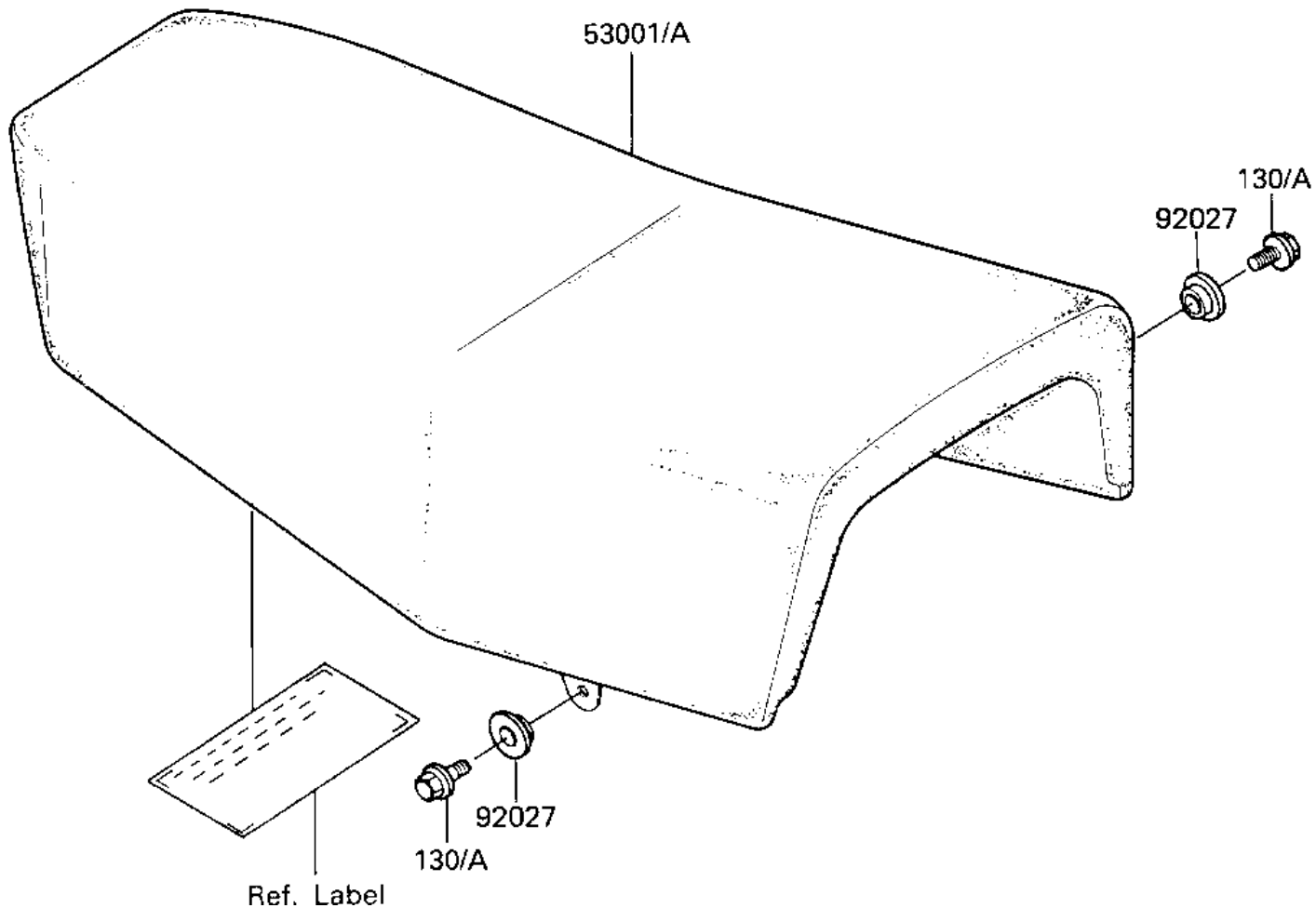


1985 KL600 PARTS DIAGRAM

SEAT

F2S10-0255



1985 KL600 PARTS LIST

SEAT

ITEM NAME	PART NUMBER	QUANTITY
SEAT-ASSY,DUAL,BLUE (Ref # 53001)	53001-1450-N7	1
COLLAR (Ref # 92027)	92027-1794	1
BOLT,FLANGED,6X10 (Ref # 130A)	130B0610	1