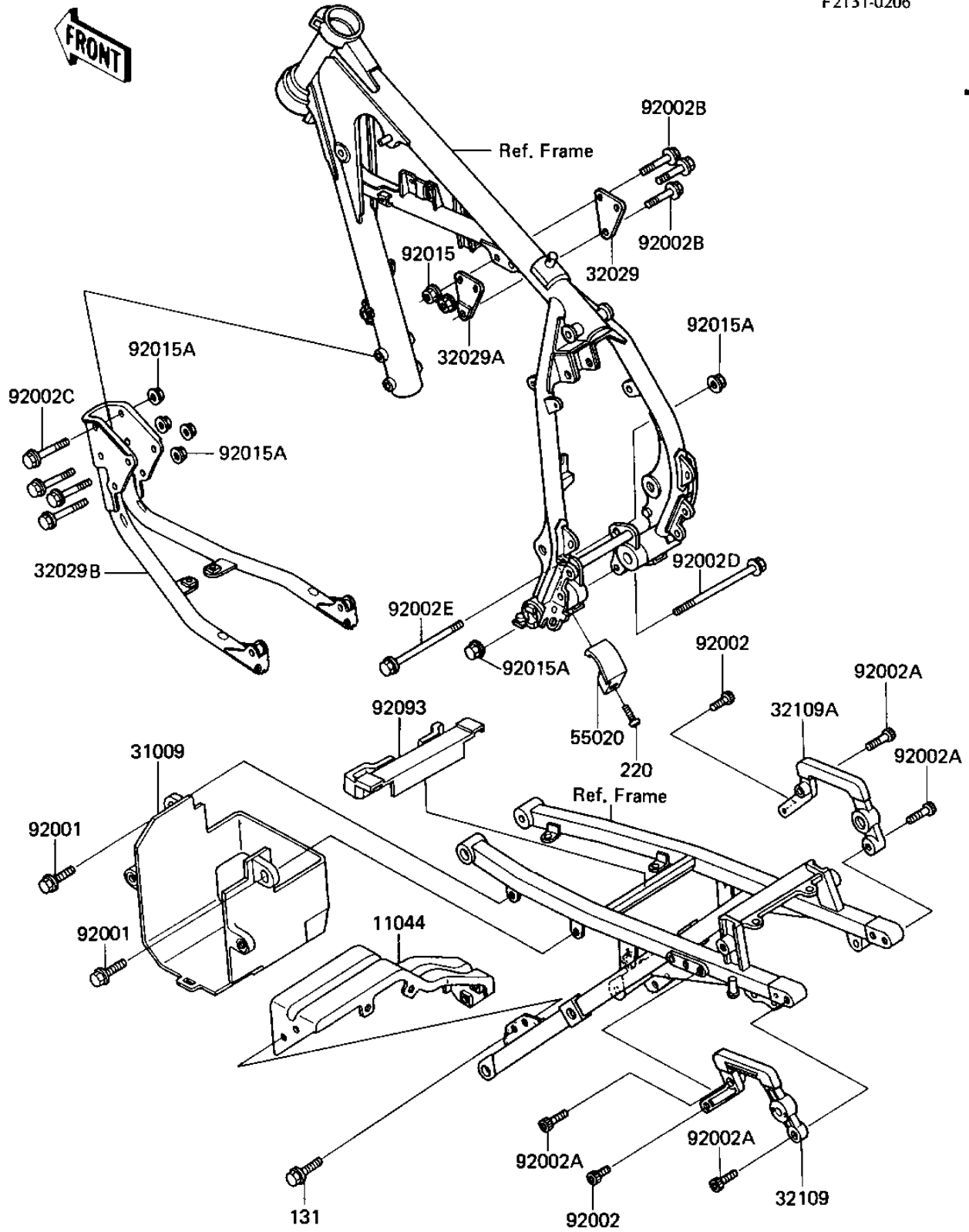


1985 KL600 PARTS DIAGRAM

FRAME FITTINGS

F2131-0206



1985 KL600 PARTS LIST

FRAME FITTINGS

ITEM NAME	PART NUMBER	QUANTITY
BRACKET,BATTERY CASE (Ref # 11044)	11043-1921	1
CASE-COMP-BATTERY (Ref # 31009)	31009-1051	1
BRACKET-ENGINE,RH (Ref # 32029)	32029-1309	1
BRACKET-ENGINE,LH (Ref # 32029A)	32029-1334	1
BRACKET-ENGINE,FR (Ref # 32029B)	32029-1367	1
GRIP-FRAME,LH (Ref # 32109)	32109-1105	1
GRIP-FRAME,RH (Ref # 32109A)	32109-1106	1
GUARD,CHAIN (Ref # 55020)	55020-1157	1
BOLT,6X12 (Ref # 92001)	92001-1771	1
BOLT,SOCKET,6X14 (Ref # 92002)	92002-1175	1
BOLT,SOCKET,6X25 (Ref # 92002A)	92002-1176	1
BOLT,8X50 (Ref # 92002B)	92002-1182	1
BOLT,FLANGED,10X70 (Ref # 92002C)	92001-1618	1
BOLT,10X185 (Ref # 92002D)	92002-1346	1
BOLT,10X145 (Ref # 92002E)	92002-1348	1
NUT,8MM (Ref # 92015)	92015-1406	1
NUT,10MM (Ref # 92015A)	92015-1415	1
SEAL (Ref # 92093)	92093-1194	1
BOLT-FLANGED,6X14 (Ref # 131)	131B0614	1
SCREW PAN HEAD 5X10 (Ref # 220)	220B0510	1