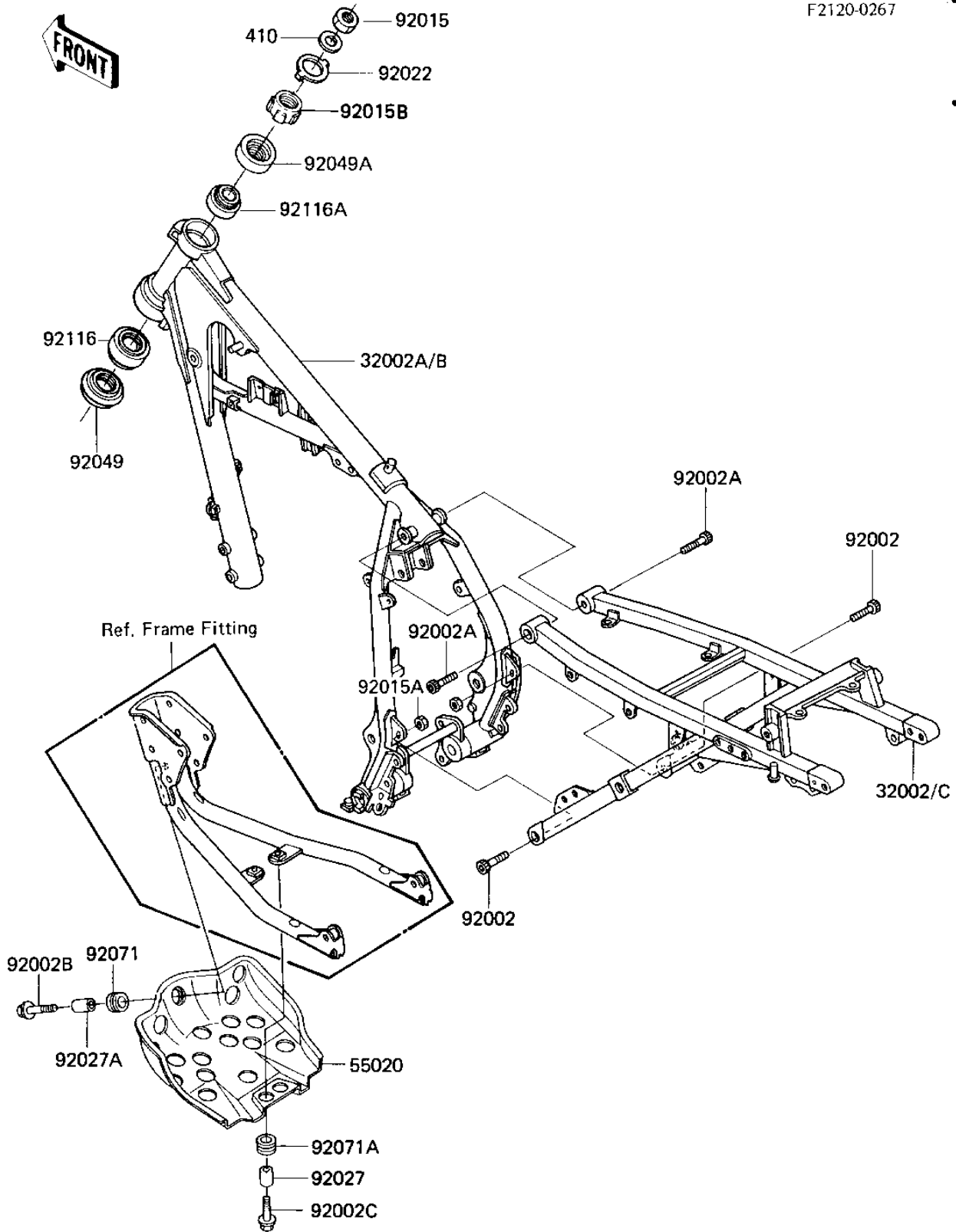


1985 KL600 PARTS DIAGRAM

FRAME

F2120-0267



1985 KL600 PARTS LIST

FRAME

ITEM NAME	PART NUMBER	QUANTITY
FRAME-COMP,RR (Ref # 32002)	32002-1776	1
FRAME-COMP,FR (Ref # 32002A)	32002-1795	1
FRAME-COMP,FR (Ref # 32002B)	32002-1796	1
FRAME-COMP,RR (Ref # 32002C)	32002-1817	1
GUARD,ENGINE (Ref # 55020)	55020-1184	1
BOLT,SOCKET,8X30 (Ref # 92002)	92002-1179	1
BOLT,SOCKET,8X40 (Ref # 92002A)	92002-1181	1
BOLT,FLANGED,8X20 (Ref # 92002B)	92002-1417	1
BOLT,6X20 (Ref # 92002C)	92002-1418	1
NUT,18MM (Ref # 92015)	92015-1404	1
NUT,8MM (Ref # 92015A)	92015-1406	1
NUT (Ref # 92015B)	92015-1546	1
WASHER,CLAW,18.5X30X2 (Ref # 92022)	92022-1555	1
COLLAR (Ref # 92027)	92027-153	1
COLLAR,L=12 (Ref # 92027A)	92027-1842	1
SEAL-OIL,XMHE36X52X4J (Ref # 92049)	92049-1162	1
SEAL-OIL,STEERING STE (Ref # 92049A)	92049-1214	1
GROMMET (Ref # 92071)	92071-1010	1
GROMMET,RESERVIOR TAN (Ref # 92071A)	92071-1115	1
BRG,ROLLER,HR320/28XJ (Ref # 92116)	92116-1009	1
BEARING-ROLLER,25X47X (Ref # 92116A)	92116-1052	1
W-PLAIN-S (Ref # 410)	410F1800	1