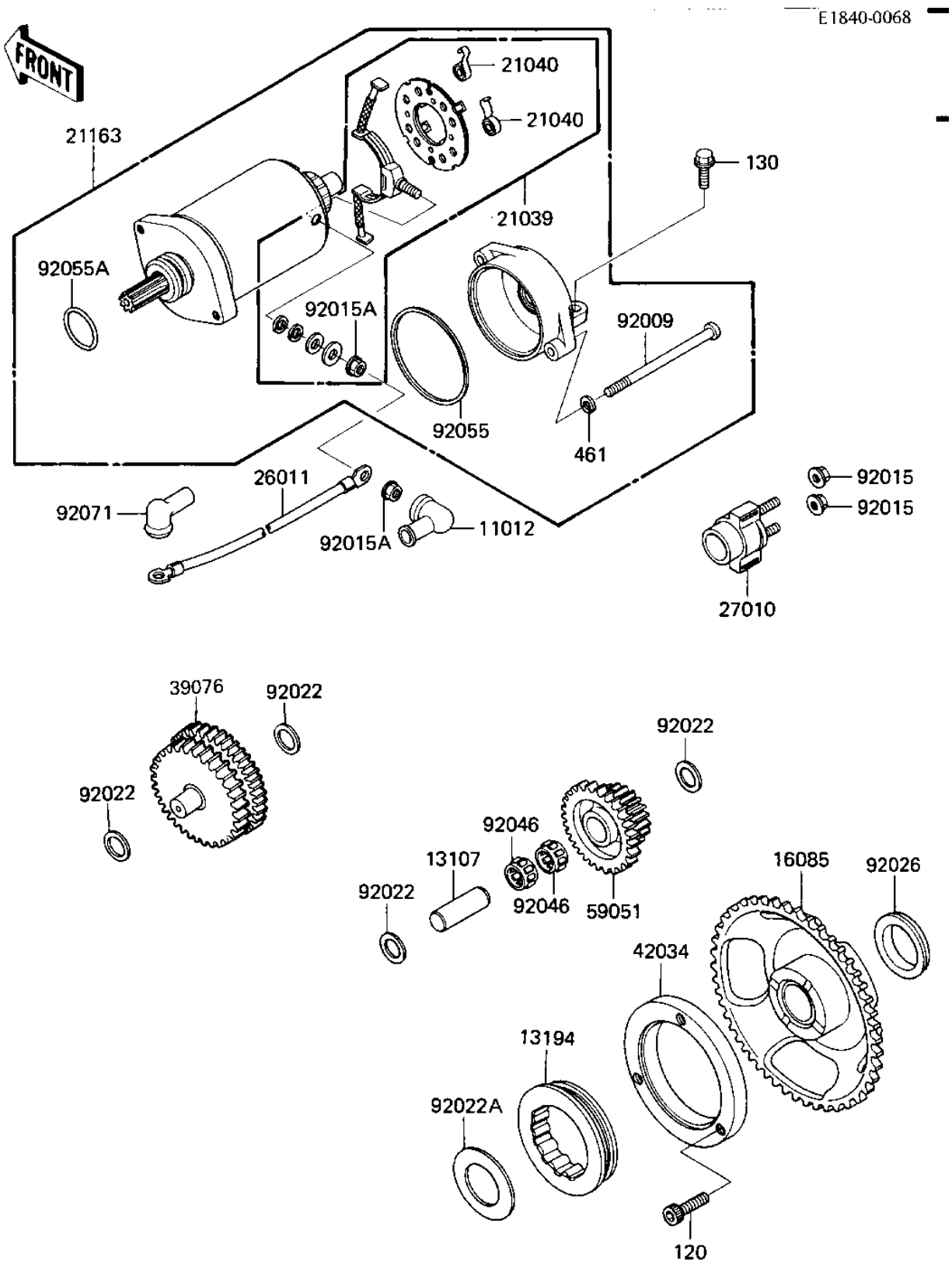


## 1985 KL600 PARTS DIAGRAM

STARTER MOTOR/STARTER CLUTCH



## 1985 KL600 PARTS LIST

### STARTER MOTOR/STARTER CLUTCH

ITEM NAME	PART NUMBER	QUANTITY
CAP,TERMINAL (Ref # 11012)	11012-1354	1
SHAFT,IDLER (Ref # 13107)	13107-1135	1
CLUTCH-ONEWAY (Ref # 13194)	13194-1056	1
GEAR,ONEWAY CLUTCH (Ref # 16085)	16085-1206	1
BRUSH,CARBON (Ref # 21039)	21039-1053	1
SPRING-BRUSH (Ref # 21040)	21040-1003	1
STARTER-ELECTRIC (Ref # 21163)	21163-1077	1
WIRE-LEAD,STARTER MOT (Ref # 26011)	26011-1325	1
SWITCH,STARTER (Ref # 27010)	27010-1314	1
LIMITER (Ref # 39076)	39076-1056	1
COUPLING (Ref # 42034)	42034-1067	1
GEAR-SPUR,20T & 37T (Ref # 59051)	59051-1133	1
SCREW (Ref # 92009)	92009-1369	1
NUT-6MM (Ref # 92015)	92015-1078	1
NUT,6MM (Ref # 92015A)	92015-1476	1
WASHER,10.2X20X0.5 (Ref # 92022)	92022-1649	1
WASHER,32.2X50X1.0 (Ref # 92022A)	92022-1650	1
SPACER (Ref # 92026)	92026-1264	1
BEARING-NEEDLE,K10X14 (Ref # 92046)	92046-1134	1
"0" RING,STARTER MOTR (Ref # 92055)	92055-1086	1
RING-O (Ref # 92055A)	92055-1276	1
GROMMET,CORD (Ref # 92071)	21017-017	1
BOLT-SOCKET (Ref # 120)	120P0818	1
BOLT,FLANGED,6X25 (Ref # 130)	130G0625	1
WASHER SPRING 5MM (Ref # 461)	461F0500	1