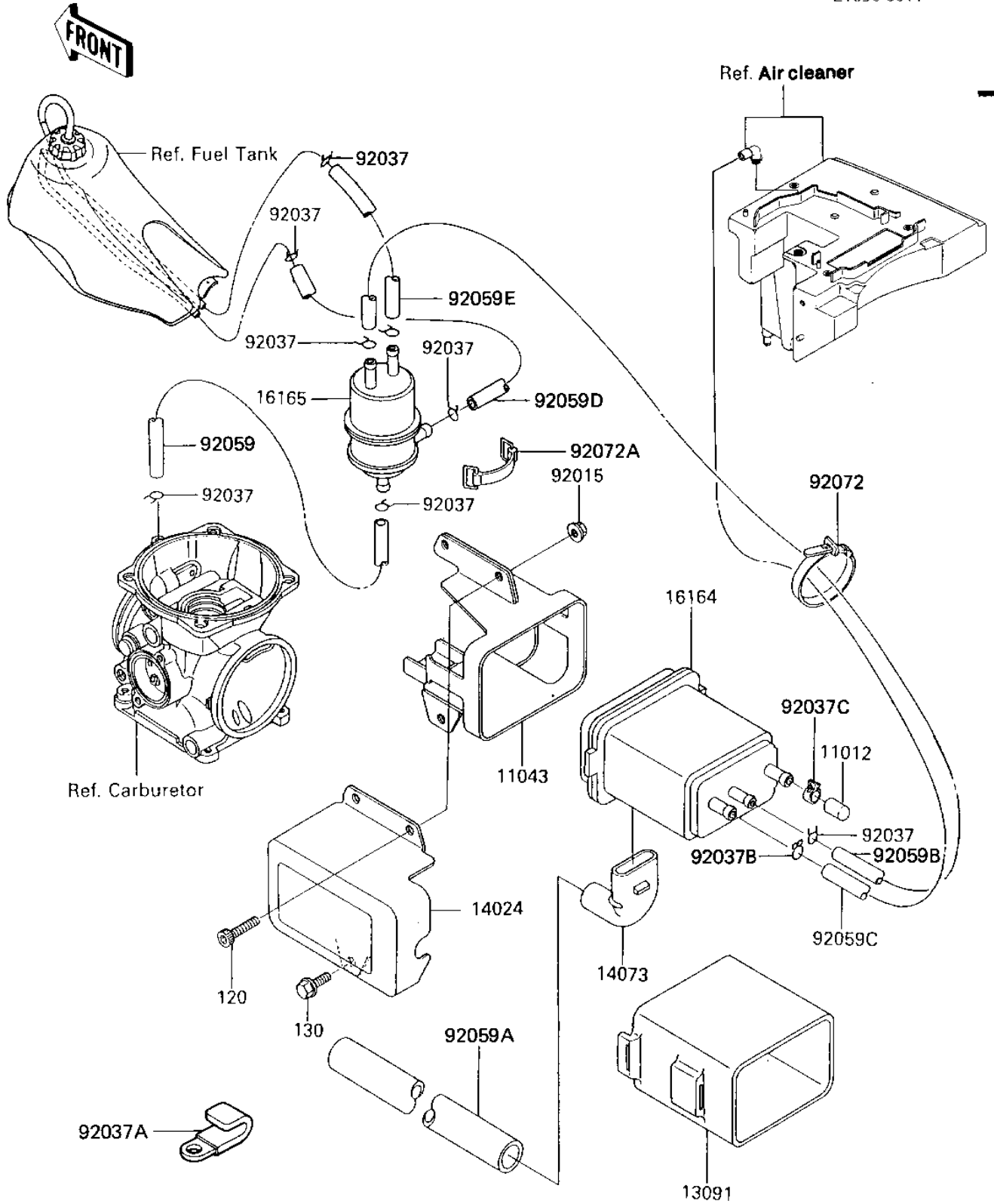


## 1985 KL600 PARTS DIAGRAM

CANISTER

E1650-0011



## 1985 KL600 PARTS LIST

### CANISTER

| ITEM NAME                           | PART NUMBER | QUANTITY |
|-------------------------------------|-------------|----------|
| CAP,CANISTER (Ref # 11012)          | 11012-1388  | 1        |
| BRACKET,CANISTER (Ref # 11043)      | 11043-1180  | 1        |
| HOLDER,CANISTER (Ref # 13091)       | 13091-1176  | 1        |
| COVER,CANISTER (Ref # 14024)        | 14024-1063  | 1        |
| DUCT,CANISTER (Ref # 14073)         | 14073-1219  | 1        |
| CANISTER (Ref # 16164)              | 16164-1001  | 1        |
| SEPARATOR (Ref # 16165)             | 16165-1001  | 1        |
| NUT,6MM (Ref # 92015)               | 92015-1365  | 1        |
| CLAMP-PIPE (Ref # 92037)            | 92037-072   | 1        |
| CLAMP,WIRING HARNESS (Ref # 92037A) | 92037-1069  | 1        |
| CLAMP-HOSE (Ref # 92037B)           | 92037-1104  | 1        |
| CLAMP,CANISTER (Ref # 92037C)       | 92037-1512  | 1        |
| TUBE, 4X9X450, WHITE (Ref # 92059)  | 92059-1402  | 1        |
| TUBE,14X20X350 (Ref # 92059A)       | 92059-1580  | 1        |
| TUBE,5X9X930,BLUE (Ref # 92059B)    | 92059-1581  | 1        |
| TUBE,7X12X950,GREEN (Ref # 92059C)  | 92059-1582  | 1        |
| TUBE,5X9X340,RED (Ref # 92059D)     | 92059-1583  | 1        |
| TUBE (Ref # 92059E)                 | 92059-1609  | 1        |
| BAND,WIRING HARNESS (Ref # 92072)   | 92072-056   | 1        |
| BAND,TOOL (Ref # 92072A)            | 92072-066   | 1        |
| BOLT-SOCKET,6X16,BLAC (Ref # 120)   | 120S0616    | 1        |
| BOLT-FLANGED (Ref # 130)            | 130C0608    | 1        |