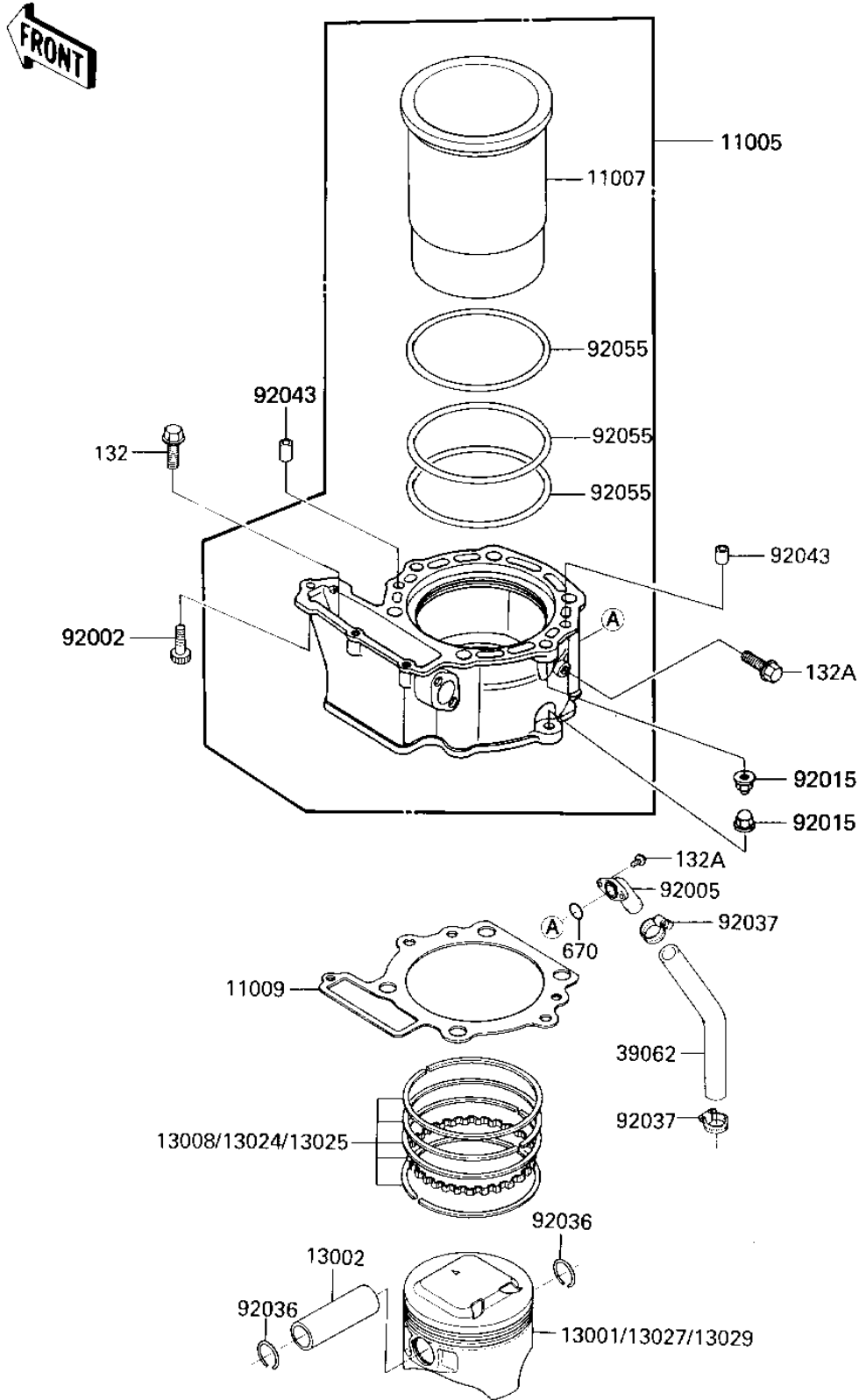


1985 KL600 PARTS DIAGRAM

CYLINDER/PISTON

E1120-0073



1985 KL600 PARTS LIST

CYLINDER/PISTON

ITEM NAME	PART NUMBER	QUANTITY
CYLINDER-ENGINE (Ref # 11005)	11005-1423	1
LINER-CYLINDER (Ref # 11007)	11007-1062	1
GASKET,CYLINDER BASE (Ref # 11009)	11060-1181	1
PISTON-ENGINE,STD (Ref # 13001)	13001-1211	1
PIN-PISTON (Ref # 13002)	13002-1052	1
RING-SET-PISTON (Ref # 13008)	13008-5067	1
RING-SET-PISTON LL,O/ (Ref # 13024)	13024-1073	1
RING-SET-PISTON L,O/S (Ref # 13025)	13025-1082	1
PISTON-ENGINE LL,O/S (Ref # 13027)	13027-1136	1
PISTON-ENGINE L,O/S 0 (Ref # 13029)	13029-1141	1
HOSE-COOLING,19.5X25X (Ref # 39062)	39062-1065	1
BOLT,8X35 (Ref # 92002)	92002-1409	1
FITTING (Ref # 92005)	92005-1122	1
NUT,CAP,8MM,BLACK (Ref # 92015)	92015-1174	1
RING-SNAP,PISTON PIN (Ref # 92036)	92036-1051	1
CLAMP,COOLING HOSE (Ref # 92037)	92037-1589	1
PIN,DOWEL,6.2X8X14 (Ref # 92043)	92043-1263	1
RING-O,105MM (Ref # 92055)	92055-1220	1
BOLT-FLANGED-SMALL (Ref # 132)	132G0625	1
BOLT-FLANGED-SMALL (Ref # 132A)	132J0612	1
"O" RING,18MM (Ref # 670)	670B2018	1