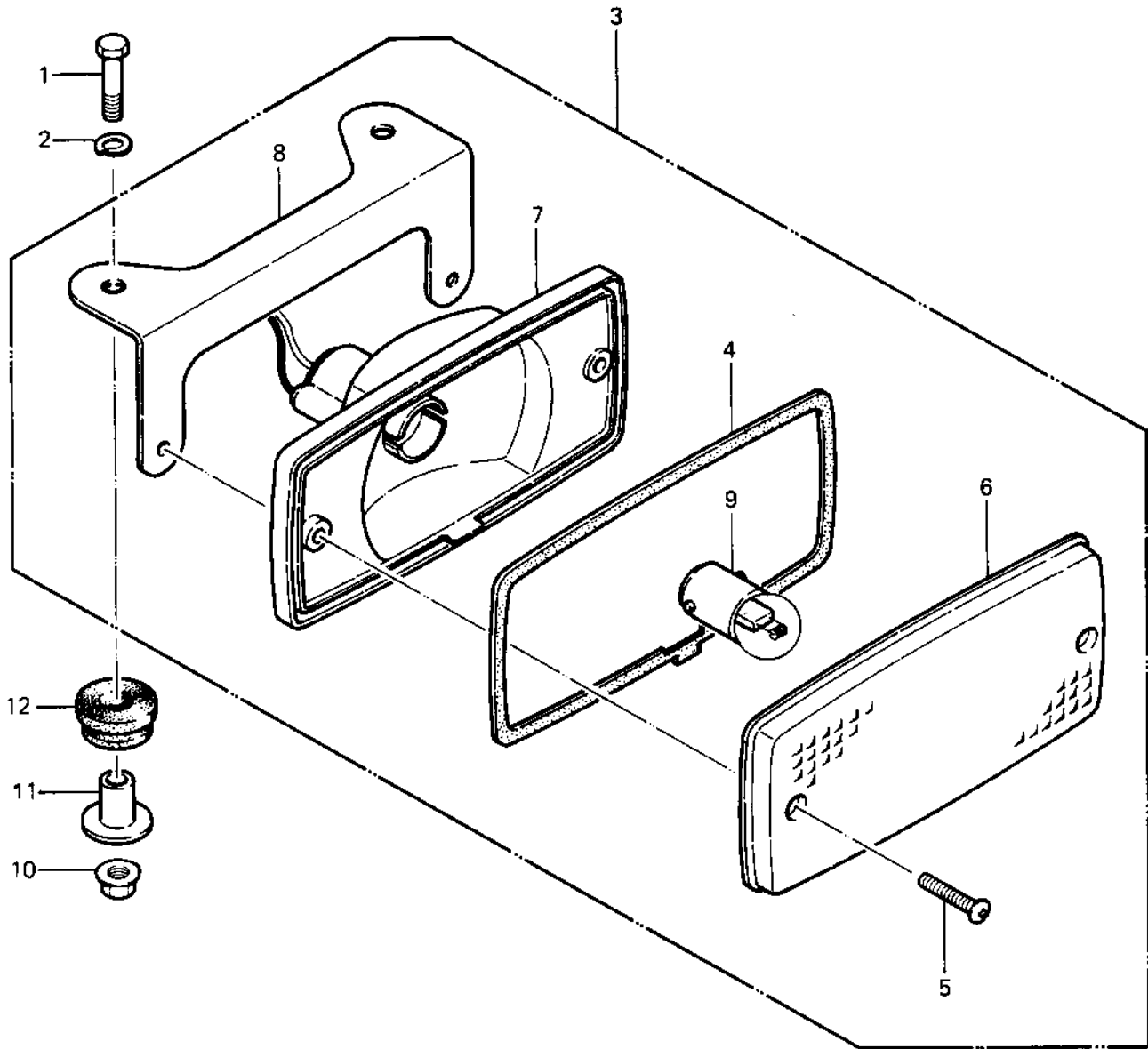


# 1984 Police PARTS DIAGRAM

## TAILLIGHT



10E

# 1984 Police PARTS LIST

## TAILLIGHT

ITEM NAME	PART NUMBER	QUANTITY
BOLT-UPSET,6X20 (Ref # 1)	112G0620	2
WASHER SPRING 6MM (Ref # 2)	461F0600	2
LAMP-ASSY-TAIL (Ref # 3)	23024-4002	1
GASKET (Ref # 4)	11009-4004	1
SCREW-PAN-CROS (Ref # 5)	220B0420	2
LENS,TAIL LAMP (Ref # 6)	23026-4003	1
BODY-COMP-TAIL LAMP (Ref # 7)	23027-4001	1
BRACKET-TAIL LAMP (Ref # 8)	23036-4004	1
BULB,12V 4CP (Ref # 9)	92069-1012	1
NUT-6MM (Ref # 10)	92015-1078	2
COLLAR (Ref # 11)	92027-1045	2
DAMPER RUBBER (Ref # 12)	92075-277	2