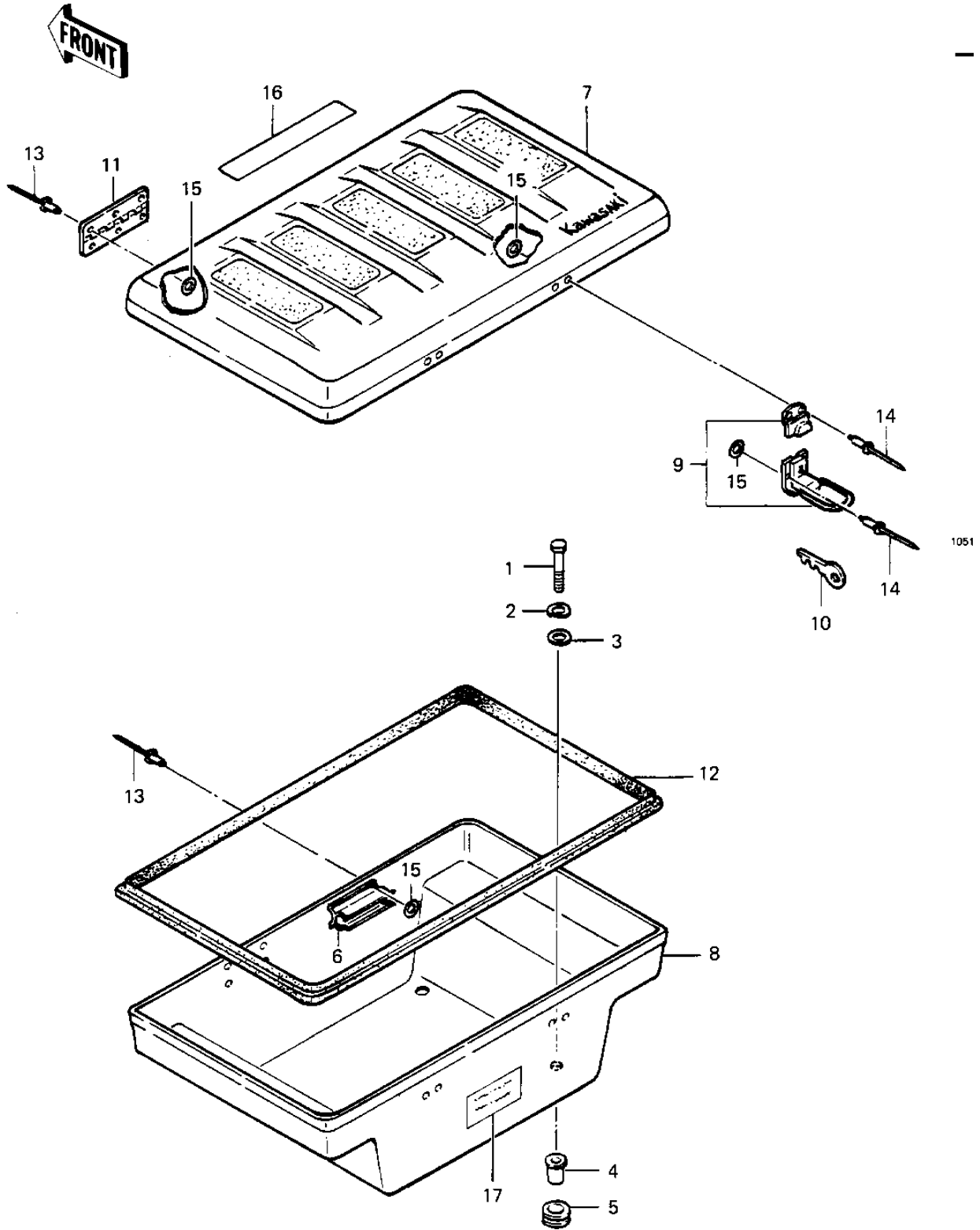


1984 Police PARTS DIAGRAM

TRUNK



1984 Police PARTS LIST

TRUNK

ITEM NAME	PART NUMBER	QUANTITY
BOLT,8X40 (Ref # 1)	115G0840	4
WASHER SPRING 8MM (Ref # 2)	461F0800	4
WASHER PLAIN 8MM (Ref # 3)	410B0800	4
COLLAR,FUEL TANK FITT (Ref # 4)	92027-1134	4
DAMPER RUBB TANK FRNT (Ref # 5)	92075-013	4
HOLDER,CASE-ASSY (Ref # 6)	13091-4020	2
COVER-TRUNK.J-WHITE (Ref # 7)	14025-4028-8C	1
CASE-TRUNK.J-WHITE (Ref # 8)	32099-4017-8C	1
LATCH (Ref # 9)	49031-4002	2
KEY SET-POLICE SDDLBG (Ref # 10)	27008-4001	AR
HINGE,TRUNK (Ref # 11)	53009-4005	2
SEAL-TRUNK (Ref # 12)	92093-4009	1
RIVET (Ref # 13)	92039-4007	20
RIVET (Ref # 14)	92039-4006	10
WASHER (Ref # 15)	92022-4017	30
LABEL-NO PASSENGER (Ref # 16)	56040-4008	1
LABEL-WARNING (Ref # 17)	56040-4012	1