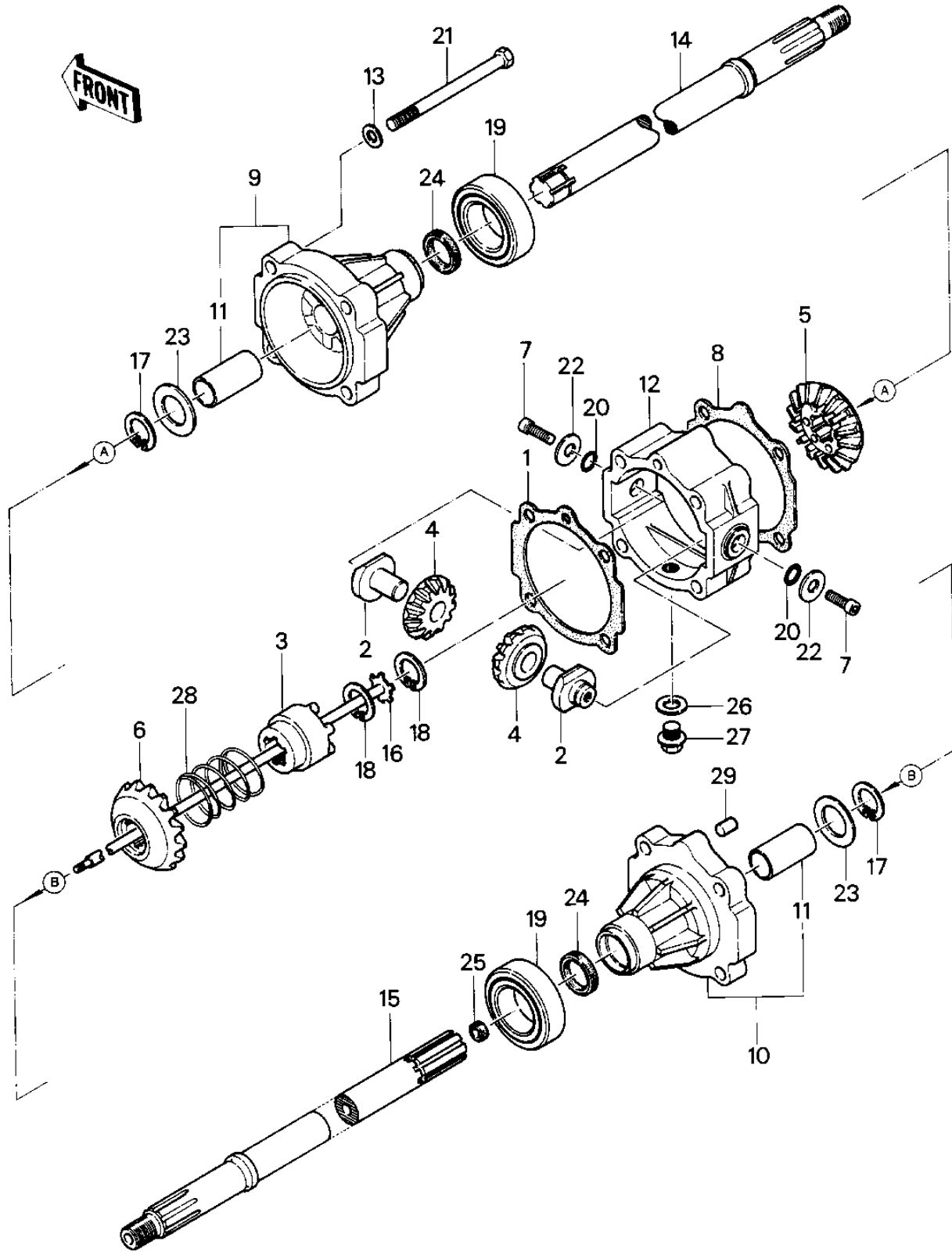


1984 Police PARTS DIAGRAM

REAR AXLE



1051

1984 Police PARTS LIST

REAR AXLE

ITEM NAME	PART NUMBER	QUANTITY
GASKET,DIFFERENTIAL C (Ref # 1)	11009-1341	1
SHAFT (Ref # 2)	13107-1042	2
SHIFTER (Ref # 3)	13139-1004	1
GEAR,BEVEL,10T (Ref # 4)	16085-4005	2
GEAR, LOCK (Ref # 5)	16085-4006	1
GEAR,BEVEL,16T (Ref # 6)	16085-4007	1
BOLT-SOCKET,8X20 (Ref # 7)	120P0820	2
GASKET,DIFFERENTIAL C (Ref # 8)	11009-1345	1
CASE,DIFFERENTIAL GEA (Ref # 9)	32099-1060	1
CASE,DIFFERENTIAL GEA (Ref # 10)	32099-1059	1
BUSHING,DIFFERENTIAL (Ref # 11)	92028-1206	2
CASE,DIFFERENTIAL GEA (Ref # 12)	32099-1040	1
WASHER,10.5X18X2.5 (Ref # 13)	92022-1453	4
AXLE,RR,RH (Ref # 14)	41068-1153	1
AXLE,RR,LH (Ref # 15)	41068-1154	1
ROD (Ref # 16)	46102-4006	1
CIRCLIP,22MM (Ref # 17)	480J2200	2
CIRCLIP,18MM (Ref # 18)	481J1800	2
BEARING (Ref # 19)	601A6008UU	2
"O" RING,12MM (Ref # 20)	670B2012	2
BOLT,10X103 (Ref # 21)	92001-1842	4
WASHER,8.5X23X5.5 (Ref # 22)	92022-1452	2
WASHER,22X40X2 (Ref # 23)	92022-4029	2
SEAL-OIL (Ref # 24)	92049-1106	2
OIL SEAL (Ref # 25)	92050-075	1
WASHER,12X18X1 (Ref # 26)	92022-1211	1
PLUG,OIL DRAIN,12X15 (Ref # 27)	92066-1174	1
SPRING,DIFFERENTIAL,L (Ref # 28)	92081-1568	1
PIN-DOWEL,10X20 (Ref # 29)	551A1020	1