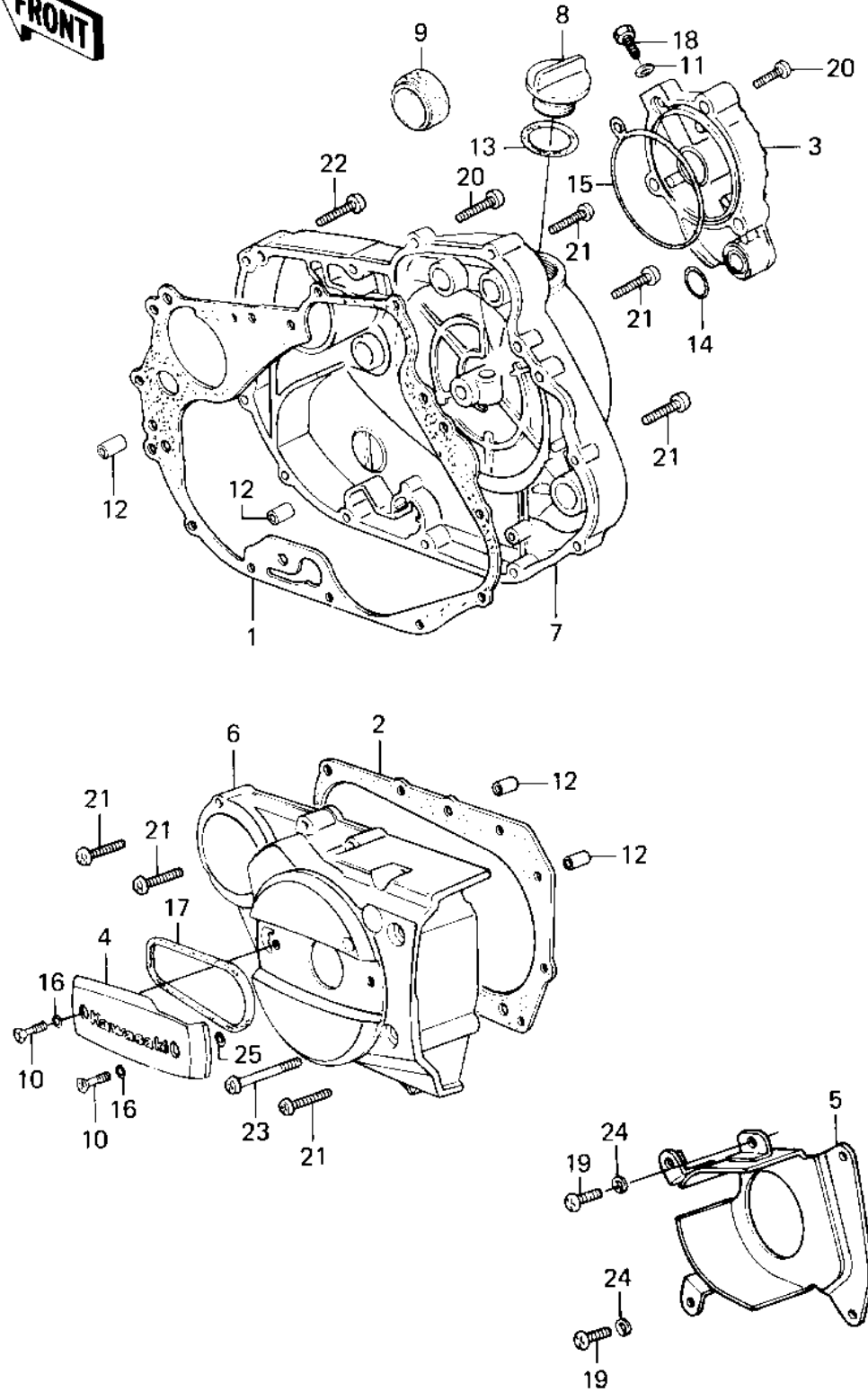


1983 Prairie PARTS DIAGRAM

ENGINE COVERS ('83 C1)

E1431-0102



1983 Prairie PARTS LIST

ENGINE COVERS ('83 C1)

| ITEM NAME | PART NUMBER | QUANTITY |
|----------------------------------|-------------|----------|
| GASKET,CLUTCH COVER (Ref # 1) | 11009-1306 | 1 |
| GASKET,L.H ENGINE COV (Ref # 2) | 14045-031 | 1 |
| COVER,OIL FILTER (Ref # 3) | 14025-1559 | 1 |
| COVER,GENERATOR (Ref # 4) | 14025-1606 | 1 |
| COVER-CHAIN,BLACK (Ref # 5) | 14026-1052 | 1 |
| COVER-GENERATOR (Ref # 6) | 14031-1110 | 1 |
| COVER-CLUTCH (Ref # 7) | 14032-1098 | 1 |
| CAP-OIL FILTER (Ref # 8) | 16115-1009 | 1 |
| GAUGE,OIL LEVEL (Ref # 9) | 52005-1009 | 1 |
| SCREW (Ref # 10) | 92009-1715 | 1 |
| WASHER,PLAIN (Ref # 11) | 92022-304 | 1 |
| PIN-DOWEL (Ref # 12) | 92042-007 | 1 |
| "O" RING,31MM (Ref # 13) | 92055-049 | 1 |
| "O" RING (Ref # 14) | 92055-098 | 1 |
| "O" RING,FILTER COVER (Ref # 15) | 92055-1048 | 1 |
| "O" RING,DYNAMO COVER (Ref # 16) | 92055-109 | 1 |
| RING-O (Ref # 17) | 92055-1143 | 1 |
| BOLT HEX HEAD 6X8 (Ref # 18) | 110B0608 | 1 |
| SCREW PAN HEAD 6X10 (Ref # 19) | 220B0610 | 1 |
| SCREW PAN HEAD 6X25 (Ref # 20) | 220B0625 | 1 |
| SCREW PAN HEAD 6X30 (Ref # 21) | 220B0630 | 1 |
| SCREW PAN HEAD 6X40 (Ref # 22) | 220B0640 | 1 |
| SCREW PAN HEAD 6X60 (Ref # 23) | 220B0660 | 1 |
| WASHER SPRING 6MM (Ref # 24) | 461F0600 | 1 |
| "O" RING,12MM (Ref # 25) | 670B2012 | 1 |