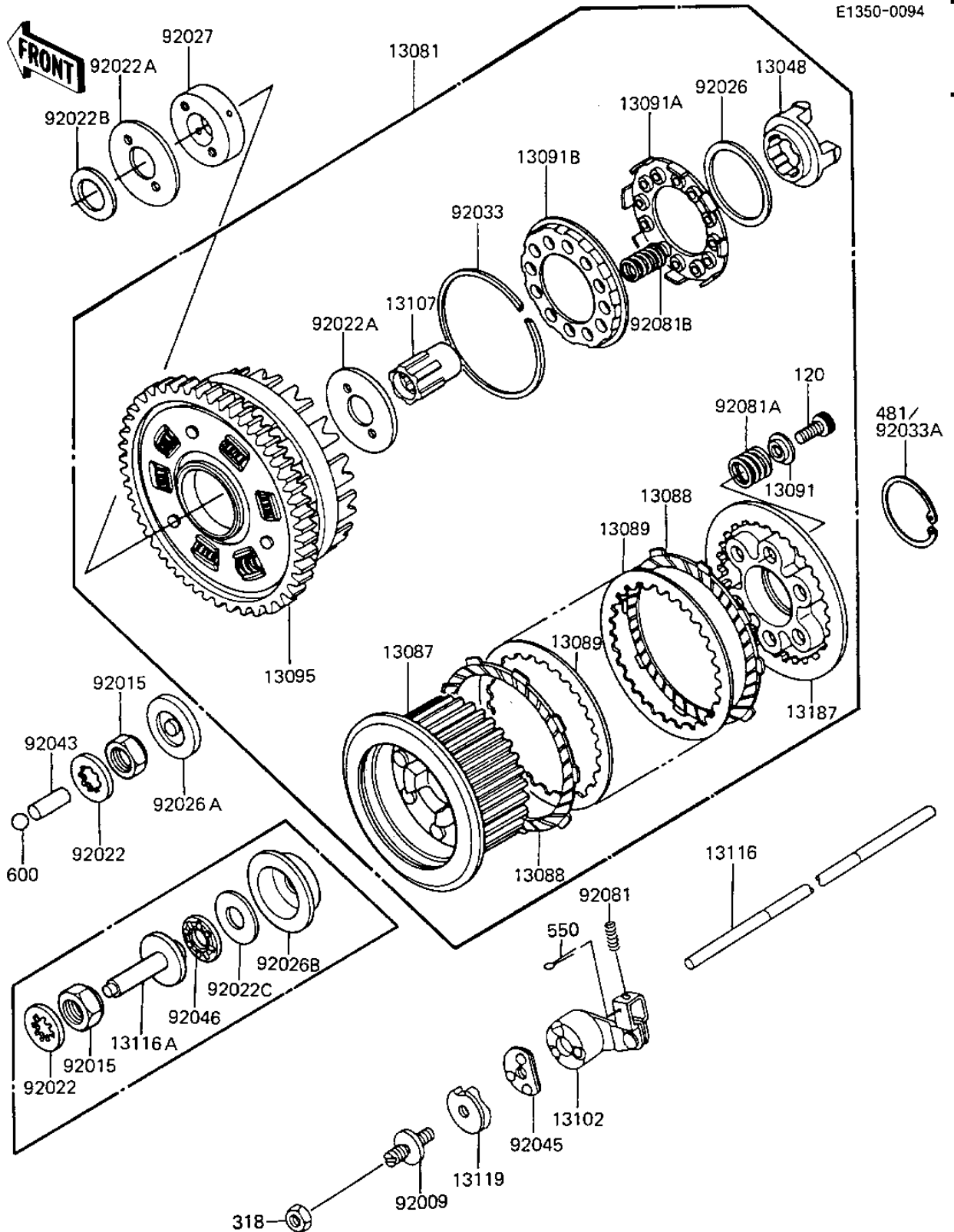


# 1984 GPz PARTS DIAGRAM

## CLUTCH



# 1984 GPz PARTS LIST

## CLUTCH

ITEM NAME	PART NUMBER	QUANTITY
DAMPER (Ref # 13048)	13048-1007	1
CLUTCH-ASSY (Ref # 13081)	13081-1151	1
HUB,CLUTCH (Ref # 13087)	13087-1009	1
PLATE-FRICTION (Ref # 13088)	13088-1051	9
PLATE,CLUTCH,STEEL (Ref # 13089)	13089-1004	8
HOLDER,CLUTCH,SPRING (Ref # 13091)	13091-1041	6
HOLDER,CLUTCH SPRING (Ref # 13091A)	13091-1042	1
HOLDER,CLUTCH SPRING (Ref # 13091B)	13091-1043	1
HOUSING-COMP-CLUTCH (Ref # 13095)	13095-1037	1
RELEASE-COMP-CLUTCH (Ref # 13102)	13102-1055	1
SHAFT,CLUTCH (Ref # 13107)	13107-1024	1
ROD-PUSH,CLUTCH (Ref # 13116)	13116-1050	1
ROD-PUSH,CLUTCH (Ref # 13116A)	13116-1102	1
CAM,RELEASE,CLUTCH (Ref # 13119)	13119-1003	1
PLATE,CLUTCH OPERATNG (Ref # 13187)	13187-1004	1
SCREW,SLOTTED,8M/M (Ref # 92009)	92009-1009	1
NUT,20MM (Ref # 92015)	92015-1555	1
WASHER,LOCK (Ref # 92022)	92022-1114	1
WASHER,CLUTCH THRUST (Ref # 92022A)	92022-1221	2
WASHER (Ref # 92022B)	92022-1223	1
WASHER,15.1X29X1.0 (Ref # 92022C)	92022-1463	1
SPACER,3.5X59X70 (Ref # 92026)	92026-1043	1
SPACER,CLUTCH (Ref # 92026B)	92026-1202	1
COLLAR (Ref # 92027)	92027-1284	1
RING,SNAP (Ref # 92033)	92033-1029	1
RING-SNAP (Ref # 92033A)	92033-1177	1
BEARING,BALL,CLUTCH (Ref # 92045)	92045-1001	1
BEARING-NEEDLE,AXK110 (Ref # 92046)	92046-1052	1
SPRING-CLUTCH RELEASE (Ref # 92081)	92081-069	1

# 1984 GPz PARTS LIST

## CLUTCH

ITEM NAME	PART NUMBER	QUANTITY
SPRING,CLUTCH (Ref # 92081A)	92081-1114	6
SPRING,CLUTCH DAMPER (Ref # 92081B)	92081-1115	12
BOLT-SOCKET,6X16,BLAC (Ref # 120)	120S0616	6
UNAVAILABLE IN PRICE BOOK (Ref # 318)	31880800	1
PIN COTTER 1.6X15 (Ref # 550)	550D1615	1