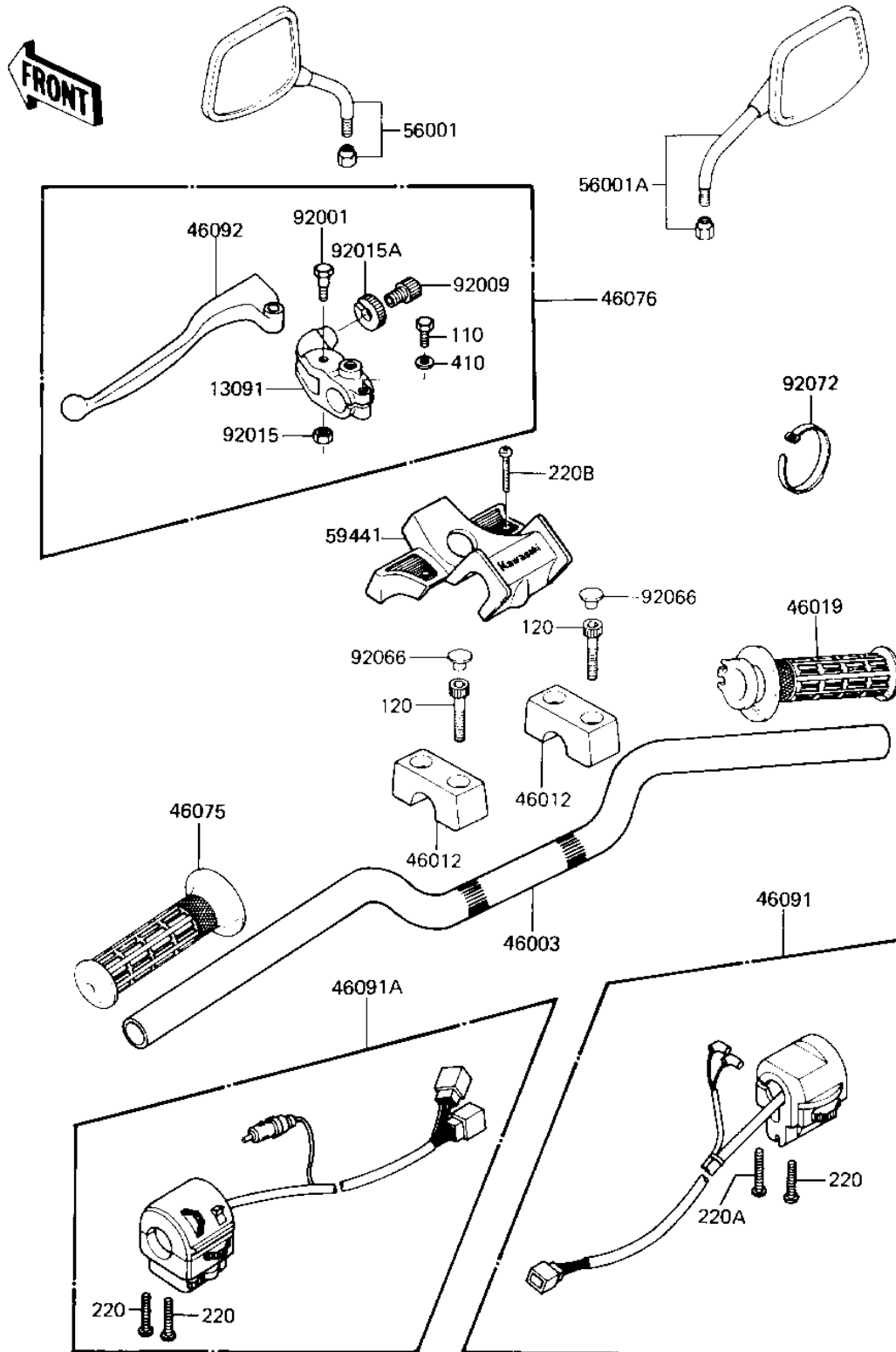


# 1983 KZ750-L3 PARTS DIAGRAM

HANDLEBAR

F2310-0210



# 1983 KZ750-L3 PARTS LIST

## HANDLEBAR

ITEM NAME	PART NUMBER	QUANTITY
HOLDER,CLUTCH LEVER (Ref # 13091)	13091-1046	1
HANDLE (Ref # 46003)	46003-1122	1
HOLDER-HANDLE (Ref # 46012)	46012-1027	2
GRIP-ASSY,THROTTLE (Ref # 46019)	46019-1015	1
GRIP,LH (Ref # 46075)	46075-1022	1
LEVER-ASSY-GRIP.CLUTC (Ref # 46076)	46076-1036	1
HOUSING-ASSY-CNTRL,RH (Ref # 46091)	46091-1214	1
HOUSING-ASSY-CNTRL,LH (Ref # 46091A)	46091-1228	1
LEVER-GRIP,CLUTCH (Ref # 46092)	46092-1041	1
MIRROR-ASSY,LH (Ref # 56001)	56001-1352	7
MIRROR-ASSY,RH (Ref # 56001A)	56001-1353	1
COVER-HANDLE (Ref # 59441)	59441-1011	1
BOLT,CLUTCH LEVER,BLA (Ref # 92001)	92001-1548	1
SCREW,CABLE ADJUST,8 (Ref # 92009)	92009-1134	1
NUT,LOCK,6MM,BLACK (Ref # 92015)	92015-1191	1
NUT,CABLE ADJUST LOCK (Ref # 92015A)	92015-1197	1
PLUG,HANDLE HOLDER (Ref # 92066)	92066-1216	4
BAND,MIDDLE (Ref # 92072)	92072-031	2
BOLT,6X22,BLACK (Ref # 110)	110C0622	1
BOLT-SOCKET,8X30,BLAC (Ref # 120)	120S0830	4
SCREW-PAN-CROS (Ref # 220)	220B0535	3
SCREW-PAN-CROS (Ref # 220A)	220B0540	1
SCREW-PAN-CROS (Ref # 220B)	220C0416	2
WASHER PLAIN (Ref # 410)	410F0600	1