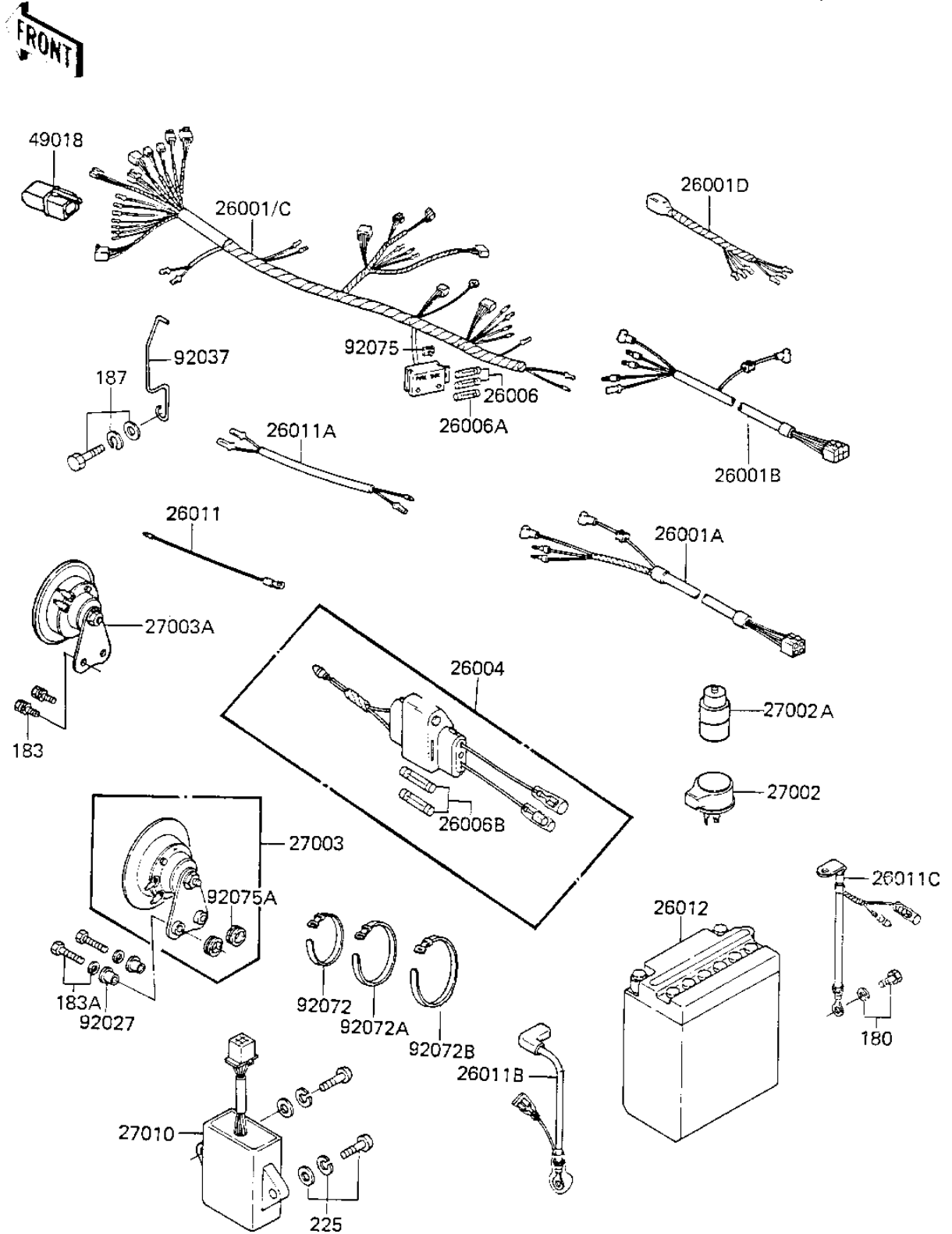


1984 KZ750-K2 (Canada Only) PARTS DIAGRAM

CHASSIS ELECTRICAL EQUIPMENT

F2760-0301



1984 KZ750-K2 (Canada Only) PARTS LIST

CHASSIS ELECTRICAL EQUIPMENT

ITEM NAME	PART NUMBER	QUANTITY
HARNESS,ENGINE (Canada) (Ref # 26001B)	26001-1663	1
HARNESS,MAIN (Canada) (Ref # 26001C)	26001-1664	1
WIRING HARNESS,REAR (Ref # 26001D)	26002-063	1
FUSE-ASSY,ACCESSORY (Ref # 26004)	26004-1016	1
FUSE 10A (Ref # 26006)	26006-003	3
FUSE-20A (Ref # 26006A)	26006-005	2
FUSE,10A,L=30M/M (Ref # 26006B)	26006-1002	3
LEAD WIRE,SIGNAL LAMP (Ref # 26011)	26011-063	2
WIRE-LEAD (Ref # 26011A)	26011-1132	1
WIRE-LEAD,BATTERY (Ref # 26011B)	26011-1145	1
WIRE-LEAD,BATTERY (Ref # 26011C)	26011-1146	1
YUA BAT YB14L-A2 (Ref # 26012)	26012-1008	1
RELAY-TURN SIGNAL (Ref # 27002)	27002-011	1
RELAY-ASSY (Ref # 27002A)	27002-1051	1
HORN (Ref # 27003A)	27003-076	1
SWITCH,TURN SIGNAL OP (Ref # 27010)	27010-1077	1
DIODE (Ref # 49018)	49018-1052	1
CLAMP,HARNESS (Ref # 92037)	92037-1370	1
BAND,SHORT (Ref # 92072)	92072-030	2
BAND,MIDDLE (Ref # 92072A)	92072-031	3
BAND,WIRING HARNESS (Ref # 92072B)	92072-056	3
DAMPER RUBBER,FUSE (Ref # 92075)	92075-279	1
BOLT 6X12 (Ref # 180)	180B0612	1
BOLT-UPSET-WS-SMALL (Ref # 183)	183B0816	2
BOLT-UPSET-WSP (Ref # 187)	187B0616	1
SCREW-PAN-WSP-CROS (Ref # 225)	225B0620	2