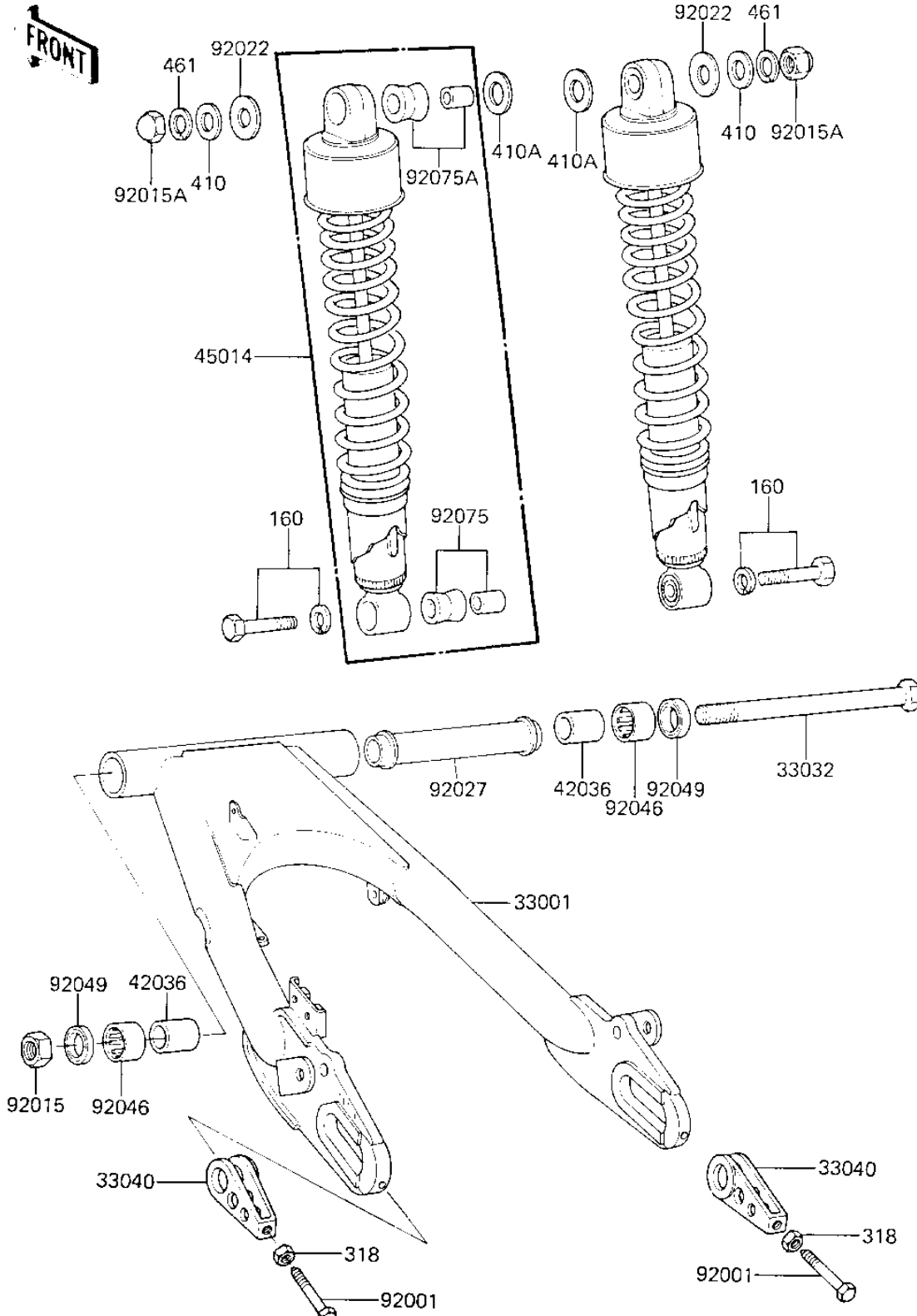


# 1984 KZ750-K2 (Canada Only) PARTS DIAGRAM

## SWING ARM/SHOCK ABSORBERS

F2140-0158



# 1984 KZ750-K2 (Canada Only) PARTS LIST

## SWING ARM/SHOCK ABSORBERS

| ITEM NAME                            | PART NUMBER | QUANTITY |
|--------------------------------------|-------------|----------|
| ARM-COMP-SWING (Ref # 33001)         | 33001-1152  | 1        |
| SHAFT,SWING ARM PIVOT (Ref # 33032)  | 33032-036   | 1        |
| ADJUSTER,CHAIN (Ref # 33040)         | 33040-056   | 2        |
| SLEEVE,SWING ARM (Ref # 42036)       | 42036-1040  | 2        |
| SHOCKABSORBER (Ref # 45014)          | 45014-1199  | 2        |
| BOLT,8X50 (Ref # 92001)              | 92001-1399  | 2        |
| NUT-SELF LOCKING (Ref # 92015)       | 92019-012   | 1        |
| NUT 12MM (Ref # 92015A)              | 92020-014   | 2        |
| WASHER,12.4X28X2.3 (Ref # 92022)     | 92022-1239  | 2        |
| COLLAR (Ref # 92027)                 | 92027-1561  | 1        |
| BEARING-NEEDLE (Ref # 92046)         | 92046-1035  | 2        |
| SEAL-OIL (Ref # 92049)               | 92049-1060  | 2        |
| BUSHING,SHOCK ABSORBE (Ref # 92075)  | 45017-019   | 2        |
| BUSHING,SHOCK ABSORBE (Ref # 92075A) | 92075-1141  | 2        |
| BOLT-FINE-WS (Ref # 160)             | 160N1035    | 2        |
| NUT 8MM (Ref # 318)                  | 318B0800    | 2        |
| WASHER PLAIN 12MM (Ref # 410)        | 410B1200    | 2        |
| WASHER PLAIN 14MM (Ref # 410A)       | 410B1400    | 2        |
| WASHER SPRING 12MM (Ref # 461)       | 461F1200    | 2        |