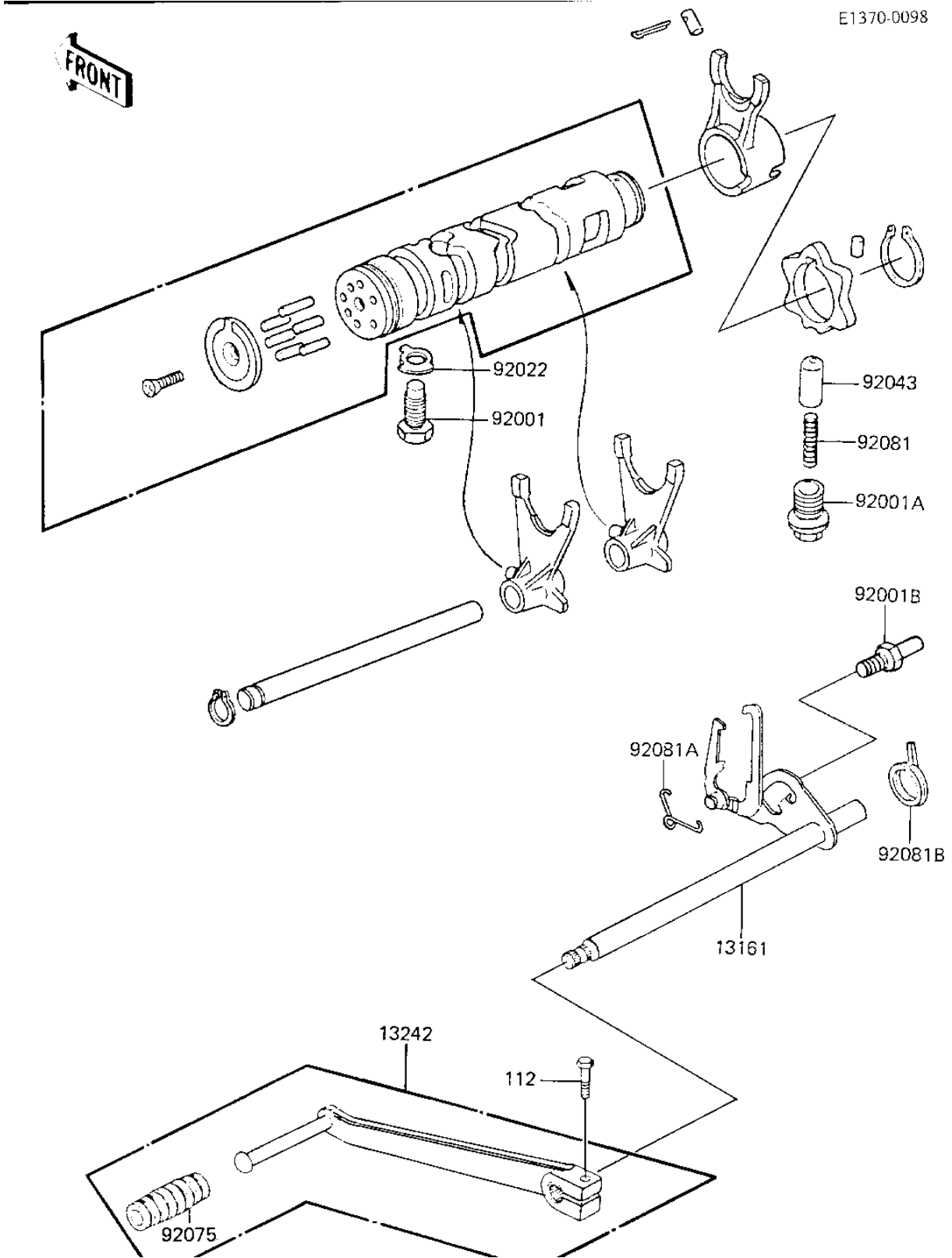


# 1984 KZ750-K2 (Canada Only) PARTS DIAGRAM

## GEAR CHANGE MECHANISM



# 1984 KZ750-K2 (Canada Only) PARTS LIST

## GEAR CHANGE MECHANISM

| ITEM NAME                           | PART NUMBER | QUANTITY |
|-------------------------------------|-------------|----------|
| LEVER ASSY,GEAR SFT (Ref # 13161)   | 13161-042   | 1        |
| LEVER-ASSY-CHANGE (Ref # 13242)     | 13242-1100  | 1        |
| BOLT,CHG DRUM POSITN (Ref # 92001)  | 92001-1052  | 1        |
| BOLT,10MM (Ref # 92001A)            | 92001-131   | 1        |
| BOLT,RETURN SPRING (Ref # 92001B)   | 92001-1401  | 1        |
| WASHER,LOCK (Ref # 92022)           | 92024-047   | 1        |
| PIN-NEUTRAL POSITION (Ref # 92043)  | 92043-076   | 1        |
| DAMPER,CHANGE PEDAL (Ref # 92075)   | 92160-1036  | 1        |
| SPRING (Ref # 92081)                | 92081-112   | 1        |
| SPRING,KICK PAWL (Ref # 92081A)     | 92083-018   | 1        |
| SPRING,CHG PEDL RTRN (Ref # 92081B) | 92083-028   | 1        |
| BOLT-UPSET,6X20 (Ref # 112)         | 112G0620    | 1        |