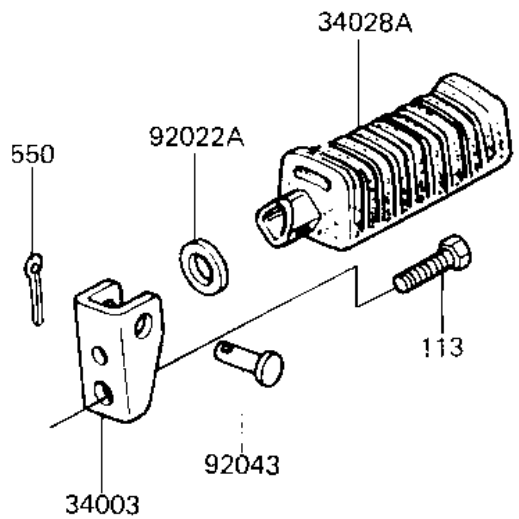
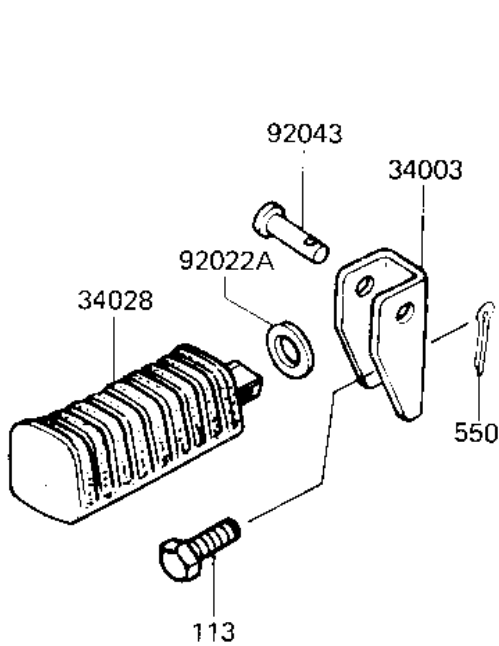
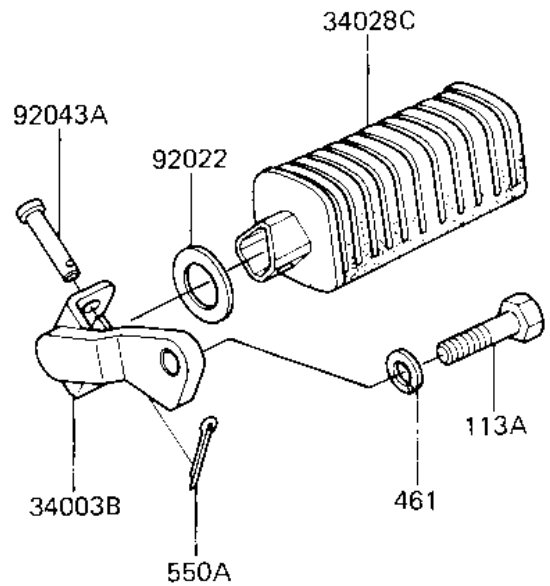
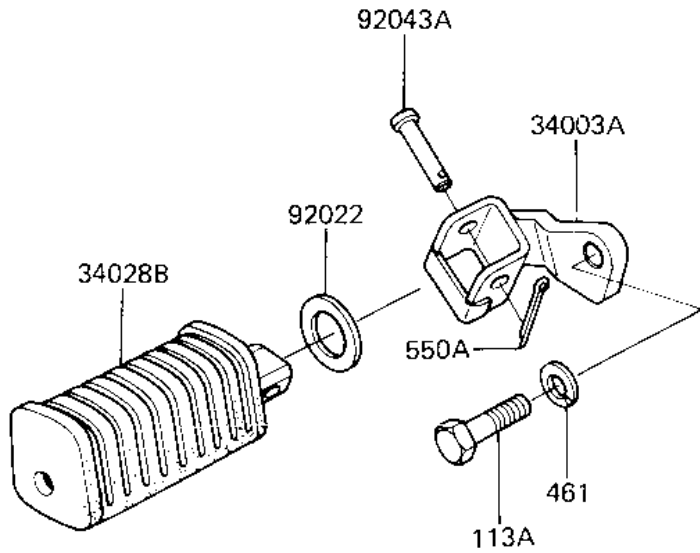


1983 LTD Shaft PARTS DIAGRAM

FOOTRESTS



F2160-0067



1983 LTD Shaft PARTS LIST

FOOTRESTS

ITEM NAME	PART NUMBER	QUANTITY
HOLDER,REAR FOOTREST (Ref # 34003)	34003-1025	2
HOLDER-STEP,FR,LH (Ref # 34003A)	34003-1128	1
HOLDER-STEP,FR,RH (Ref # 34003B)	34003-1129	1
STEP,RR,LH,BLACK (Ref # 34028)	34028-1041	1
STEP,RR,RH,BLACK (Ref # 34028A)	34028-1042	1
STEP-ASSY,FR,LH,BLACK (Ref # 34028B)	34027-1108	1
STEP-ASSY,FR,RH,BLACK (Ref # 34028C)	34027-1109	1
WASHER,25X36X2.3,BLAC (Ref # 92022)	92022-1319	2
WASHER,22.5X30X2.6,BL (Ref # 92022A)	92022-1320	2
PIN (Ref # 92043)	92043-1464	2
PIN,FOOTREST BAR FIT (Ref # 92043A)	92043-115	2
BOLT-UPSET (Ref # 113)	112C1030	2
BOLT-SMALL-FINE,12X40 (Ref # 113A)	113C1240A	2
WASHER-SPRING,12MM,BL (Ref # 461)	461K1200	2
PIN,COTTER,2.0X12 (Ref # 550)	550D2012	2
PIN,COTTER,2.5X15 (Ref # 550A)	550D2515	2