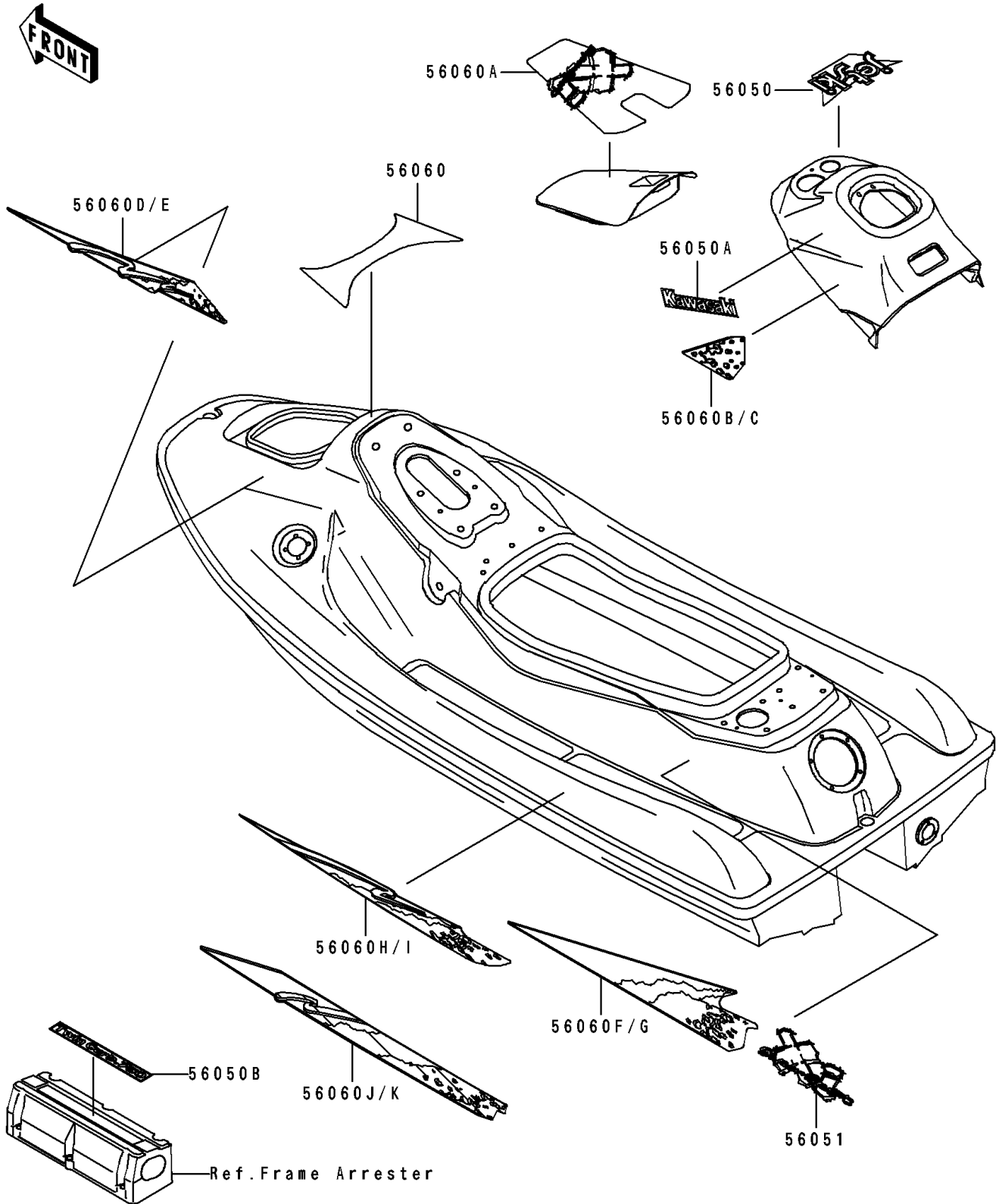


# 1995 Super Sport XI PARTS DIAGRAM

Decals(JH750-B2/B3)

F3880A



# 1995 Super Sport XI PARTS LIST

Decals(JH750-B2/B3)

ITEM NAME	PART NUMBER	QUANTITY
MARK,HANDLE COVER,JET SKI (Ref # 56050)	56050-1980	1
MARK,HANDLE COVER,KAWASAKI (Ref # 56050A)	56050-1981	2
MARK,TWIN CARB-750 (Ref # 56050B)	56050-1986	1
MARK,DECK,XI (Ref # 56051)	56051-1070	2
PATTERN,DECK (Ref # 56060)	56060-1555	1
PATTERN,HATCH COVER (Ref # 56060A)	56060-1823	1
PATTERN,HANDLE COVER,LH (Ref # 56060B)	56060-1824	1
PATTERN,HANDLE COVER,RH (Ref # 56060C)	56060-1825	1
PATTERN,DECK,FR,LH (Ref # 56060D)	56060-1826	1
PATTERN,DECK,FR,RH (Ref # 56060E)	56060-1827	1
PATTERN,DECK,CNT,LH (Ref # 56060F)	56060-1828	1
PATTERN,DECK,CNT,RH (Ref # 56060G)	56060-1829	1
PATTERN,DECK,RR,LH (Ref # 56060H)	56060-1830	1
PATTERN,DECK,RR,RH (Ref # 56060I)	56060-1831	1
PATTERN,HULL,LH (Ref # 56060J)	56060-1832	1
PATTERN,HULL,RH (Ref # 56060K)	56060-1833	1